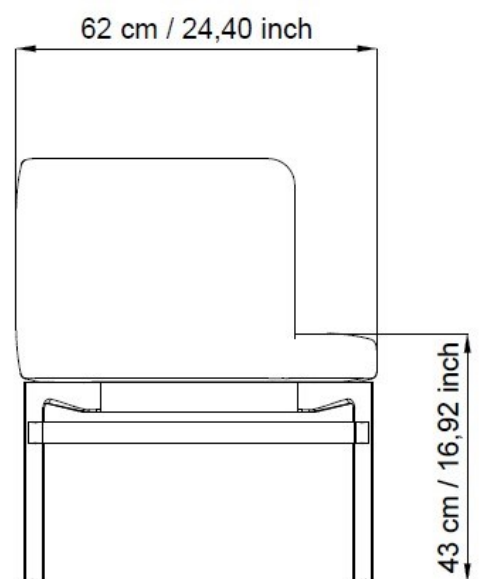
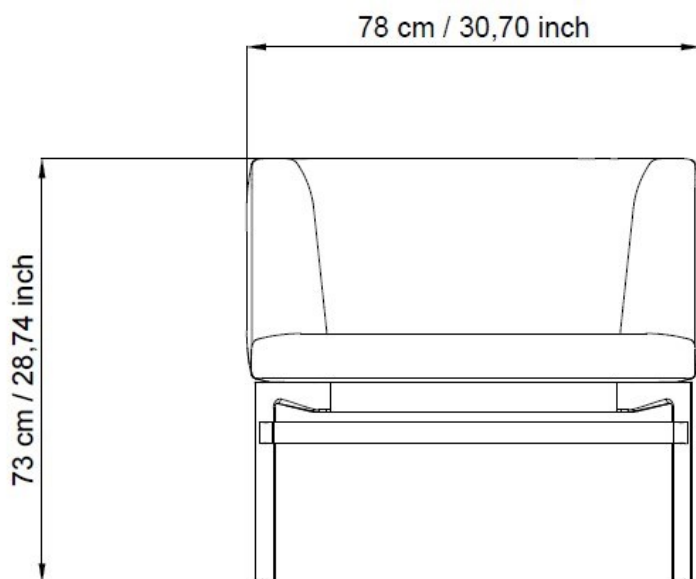


PONTE

Articol: PO32 – PO33

Code: 4POTE190 – 4POTE198



DESCRIPTION

PONTE: from its very first images, it reveals its versatile configurational capability while always maintaining a highly recognizable style. It surpasses the standard of the sofa to establish itself as a true modular soft seating system: straight, curved, round, single-faced, or double-faced. All padded elements of Ponte are made of cold-molded flexible polyurethane, enhancing its perfection, comfort, durability over time, and aesthetic quality.

SEAT AND BACKREST: made of cold-molded flexible polyurethane, fire-resistant, density 70 kg/m³ fully expanded with water and free of chlorofluorocarbons (CFC-free) and hydrofluorocarbons (HCFC-free), with steel inserts and metal mesh reinforcements.

FRAME: rectangular steel tube 50x30 painted black and steel oval tube Ø 35 mm in chrome finish (CR) or painted with epoxy powders in Black (NE), White (BI), Grey (GG), Aqua Green (VD), Powder Pink (MT), or Ivory (SB).

LEGS: die-cast aluminum legs in chrome finish (CR) or painted with epoxy powders in Black (NE), White (BI), Grey (GG), Aqua Green (VD), Powder Pink (MT), or Ivory (SB); h 280 mm or h 340 mm.

FABRIC: The upholstery choice can be customized from a wide range of available colors. PONTE is certified 1IM with MIRAGE fabric and SURROUND coated fabric.

USAGE INSTRUCTIONS

Utilization of the entire seating surface The surface of the anatomical seat must be fully occupied. Only then is proper contact with the backrest ensured, providing adequate support.

MAINTENANCE AND CLEANING

Metal Parts

For cleaning, use specific products for metal polishing to slow down natural oxidation due to contact. Upholstery and Padding Any stains on the fabric covering can be removed either with mild neutral detergents or with specific products recommended by the manufacturer as sanitizers and water repellents, for better preservation of the upholstery's good maintenance condition. The padding, if it presents structural issues requiring maintenance, should be handled exclusively by specialized personnel.

ASSISTANCE

Service operations must be carried out exclusively by specially trained personnel, and inquiries should be directed directly to LUXY as the manufacturer. Maintenance and component replacements performed by unauthorized personnel will void the warranty.

WARRANTY

Our products are guaranteed for 5 (five) years and cover manufacturing defects or materials issues not attributable to misuse or improper use of the product. Excluded from the warranty are excessive or improper use of the product, natural wear and tear of materials (fabrics), defects caused by interventions conducted outside of the manufacturer's premises, defects due to humid environments or atmospheres with the presence of salt or acids. Our warranties reflect the processes applied to the manufacturing materials and not their intrinsic qualities.

PRODUCT INFORMATION

The materials used are recyclable. At the end of its use, do not dispose of the product in the environment, but dispose of it according to the type of material. The company reserves the right to make changes to this catalog and production without prior notice.