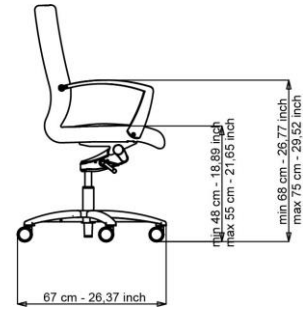
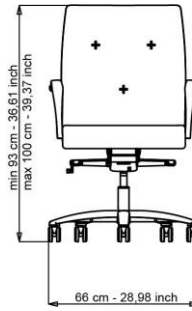


Article: ON3
Code: 4ONGI02

ONE

Design Luxy R&D



20



no



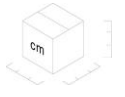
1



22,5



0,3



91x70x68



Warranty: 5 years

DESCRIPTION

Executive chair with medium backrest, chrome aluminum armrests, multi-block swivel, polished aluminum base, with 65 mm black wheels.

BACKREST: 65 mm thick, made of polyurethane foam with a density of 40 kg/m³.

SEAT: Made of polyurethane foam with a density of 40 kg/m³.

FRAME: Plywood structure made of beech and poplar, 10 mm thick, padded with polyurethane foam with a density of 40 kg/m³.

ARMRESTS: Chrome-finished cast aluminum.

MECHANISM: Multi-block swivel.

BASE: Cast aluminum with polished finish.

WHEELS: Self-braking rubber-coated (standard) Ø 65 mm.

MAINTENANCE

CHROME PARTS: Clean with a soft cloth slightly dampened with a stainless steel cleaning product.

PLASTIC PARTS: Clean with a slightly damp soft cloth without exerting pressure, then wipe dry.

PAINTED PARTS: Clean with a slightly damp soft cloth and then wipe dry.

ALUMINUM PARTS: Use specific products for metal polishing to slow down natural oxidation due to hand contact. Aluminum parts naturally tarnish. LUXY recommends not using aggressive detergents.

FABRIC: For fabrics, apply a few drops of neutral detergent on a well-wrung damp cloth, gently wipe the seat, and let it dry. See fabric sheets in the LUXY upholstery folder. LUXY strongly recommends using eco-friendly products.

LEATHER: Leather is a natural product. Imperfections in leather give it its distinctive appearance. Remove stains with a soft wool cloth. For more stubborn dirt, use products specifically for leather dyed with aniline dyes. Do not expose leather to direct sunlight. LUXY strongly recommends using eco-friendly products.

MATERIAL AND RECYCLABILITY

