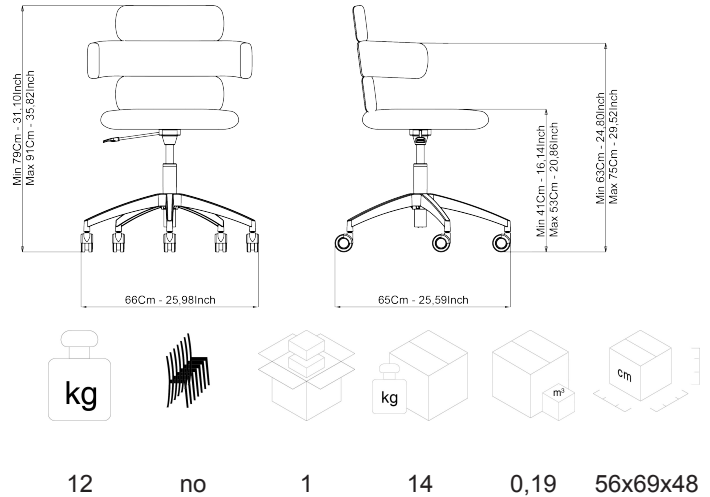


# CLUSTER

Design Luigi Vittorio Cittadini

article: CL8 G  
code: 4CLFB142



Warranty: 5 years

## DESCRIPTION

Armchair with 3-elements backrest, with armrests, white nylon base, with Ø 65 mm white wheels.

**SEAT/BACKREST:** Version in cold moulded flexible fire retardant polyurethane, density 70 kg/m<sup>3</sup>, class 1, completely expanded with water and free of chlorofluorocarbons (CFC free) and hydrofluorocarbons (HCFC free) with steel inserts.

**STRUCTURE:** 5-spoke gas-liftable swivel base, painted white, with matching Ø 65 mm swivel castors.

## MAINTENANCE

**CHROME PLATED PARTS:** Clean with a soft cloth with some neutral detergent to polish the steel.

**PAINTED PARTS:** Clean with soft cloth dampened slightly with water and dry with a dry cloth.

**PLASTIC PARTS:** Use soft cloth dampened slightly with water, without insistence, then dry with a dry cloth

**ALUMINIUM PARTS:** To clean use only specific products to polish metal parts in order to reduce the natural oxidation due to the hands contact. The aluminum parts tarnish naturally. LUXY recommends not using chemical detergents.

**FABRIC:** Fabric: pour some drops of neutral detergent on a damp and wringed out cloth, rub gently on the seat and leave it dry. See maintenance instructions on LUXY upholstery book. Luxy recommends using ecological products.

**LEATHER:** Leather is a natural product. Imperfections give to the material its unmistakable aspect. In presence of marks, they have to be removed with a soft wool cloth. In case of ingrained stains, use only products for leather coloured with aniline. Do not expose leather to direct sunlight. Luxy recommends using ecological products.

## MATERIAL AND RECYCLABILITY

