



LUXY®

ESSENZIALE mesh

ARTICOL: 9230B MESH

CODE: 4ESFC80 – 4ESFB82

DESCRIPTION

ESSENZIALE is a series of seats ideal for communal areas and waiting rooms; its modern design, two colors (white and black) for the seat and backrest, and three different colors for the frame, along with its stackability, make the series suitable for various purposes.

BACKREST: Mesh.

SEAT: Polypropylene in black and white colors or padded with fire-resistant expanded polyurethane thickness 15mm density 50 kg/m³.

FRAME: Sled base in high-resistance round section steel \varnothing 22 mm, chromed or painted.

ARMRESTS: White or black nylon.

PLUGS: Non-slip plastic.

STACKABILITY: Maximum of 5 chairs for versions with armrests, without armrests, and padded; maximum of 3 chairs for the version with the writing tablet.

FABRIC: It is possible to customize the choice according to a wide range of available colors.

USAGE INSTRUCTIONS

Utilize the entire seating surface. The surface of the ergonomic seat must be fully occupied. Only in this way is correct contact with the backrest ensured, thus providing adequate support.

MAINTENANCE AND CLEANING

Metal Parts: For cleaning, use specific products for metal polishing to slow down natural oxidation due to contact.

Upholstery and Padding: Any stains on the upholstery fabric can be removed with mild neutral detergents or with specific products recommended by the manufacturer as sanitizing and water-repellent, for better preservation of the upholstery's good condition. Padding: If it presents structural issues requiring maintenance, it must be handled exclusively by specialized personnel.

SERVICE

Service operations must be carried out exclusively by specially trained personnel, and requests should be forwarded directly to LUXY as the manufacturer. Maintenance and component replacements performed by unauthorized personnel will void the warranty.

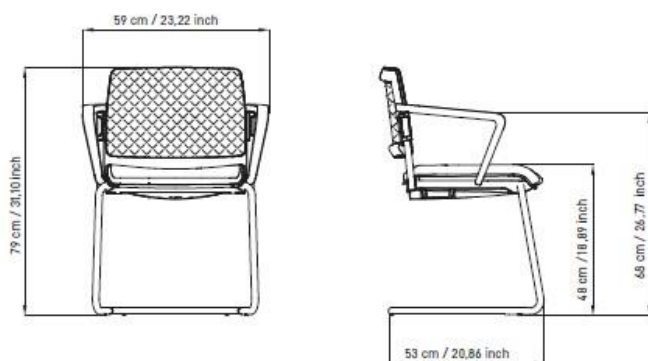


WARRANTY

Our products are guaranteed for 5 (five) years and cover manufacturing defects or defects in materials not attributable to improper use of the product. Excluded from the warranty are excessive or improper use of the product, natural wear of materials (fabrics), defects caused by interventions carried out outside the manufacturer's premises, defects due to humid environments or atmospheres with the presence of salt or acids. Our warranties reflect the workmanship performed on the production materials and not the intrinsic qualities of the materials themselves.

PRODUCT INFORMATION

The materials used are recyclable. At the end of its use, please do not dispose of the product in the environment, but dispose of it according to the type of material. The company reserves the right to make changes to this catalog and production without prior notice.



aderente a

