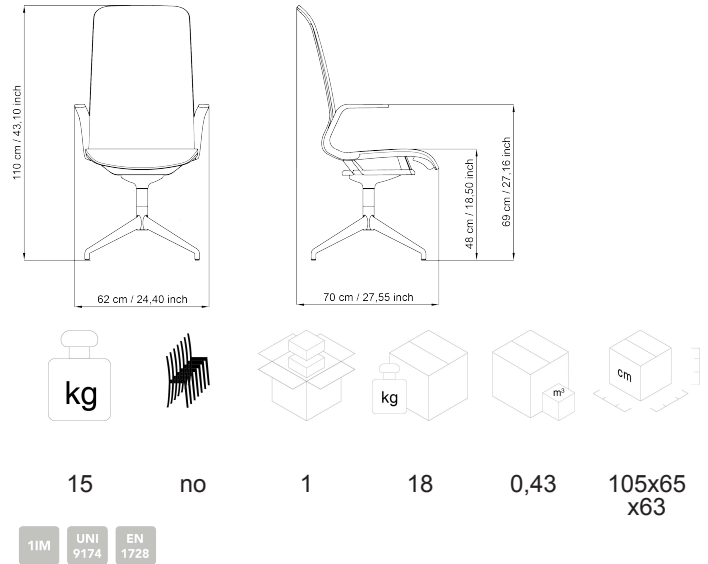


SMARTLIGHT

Design Luxy R&D

article: EX12
code: 4EXDI26



Warranty: 5 years

DESCRIPTION

Executive chair with high backrest, black nylon structure, open black armrests, swivel plate, polished aluminum 4 legs base.

STRUCTURE: the frame is a mix of high-strength nylon and fiberglass that creates extreme mechanical strength, in white or black.

UPHOLSTERY: mesh L slightly more covering, high resistance, flame retardant version in class 1 (IT) in black and white; mesh Z slightly more textile and soft, high-strength, flame-retardant Class 1 (IT) version in grey and black.

ARMRESTS: fixed black armrest (standard combined with frame colour) with rigid nylon pad.

MECHANISMS: swivel plate.

BASE: die-cast polished aluminum.

MAINTENANCE

CHROME PLATED PARTS: Clean with a soft cloth with some neutral detergent to polish the steel.

PAINTED PARTS: Clean with soft cloth dampened slightly with water and dry with a dry cloth.

PLASTIC PARTS: Use soft cloth dampened slightly with water, without insistence, then dry with a dry cloth

ALUMINIUM PARTS: To clean use only specific products to polish metal parts in order to reduce the natural oxidation due to the hands contact. The aluminum parts tarnish naturally. LUXY recommends not using chemical detergents.

FABRIC: Fabric: pour some drops of neutral detergent on a damp and wringed out cloth, rub gently on the seat and leave it dry. See maintenance instructions on LUXY upholstery book. Luxy recommends using ecological products.

CASTORS/FEET: For the enduser security and for different types of floor, different types of castors are available, as per security rules:
- hard castors for sift floors
- rubber castors for hard floors (standard).

MATERIAL AND RECYCLABILITY

