



## AMARCORD

**ARTICOL:** AM10G

**COD:** 4AMCU26

### DESCRIPTION

**AMARCORD.** Just as its name suggests, Amarcord evokes the nostalgia of a bygone era but perfectly reinterpreted in a modern context. Its square yet enveloping shape makes this sofa versatile for multiple interpretations and perfectly suitable for both classic and modern environments. With polyurethane foam padding at various densities, it is available in one, two, or three-seater versions, as well as in paolina, bench, and pouf variations. Completing the range is the version with a unique and unmistakable floor base design.

**AMARCORD AM10G** swivel plate pouf.

**BACKREST:** Polyurethane foam density 35 kg/m<sup>3</sup>.

**SEAT:** Polyurethane foam density 30 kg/m<sup>3</sup>.

**STRUCTURE:** Multilayer fir wood thickness 27 and 18 mm.

**ARMRESTS:** Polyurethane foam density 30 kg/m<sup>3</sup>.

**BASE:** Black steel swivel plate.

**FABRIC:** Customization of fabric choice is possible from a wide range of available colors

### USAGE GUIDELINES

**Utilization of the entire seating surface:** The surface of the ergonomic seat must be fully occupied. Only in this way is the correct contact with the backrest ensured, thus providing adequate support.

### MAINTENANCE AND CLEANING

#### Metal Parts

For cleaning, use specific products for metal polishing to slow down natural oxidation due to contact.

#### Covering and Padding

Any stains on the covering fabric can be removed either with mild neutral detergents or with specific products recommended by the manufacturer as sanitizing and water-repellent, for better preservation of the covering's good condition. The padding, if experiencing structural issues requiring maintenance, should be handled exclusively by specialized personnel.



### ASSISTANCE

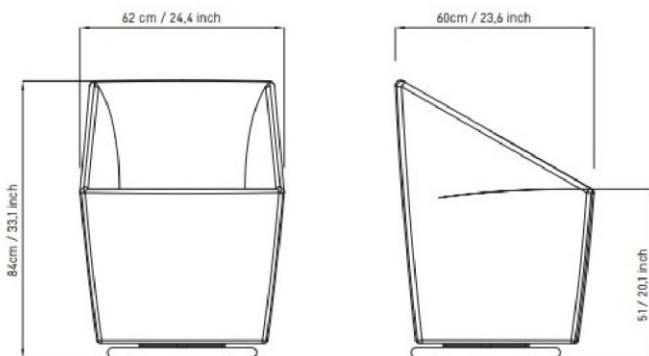
Service operations must be carried out exclusively by specially trained personnel, and requests should be directed to LUXY as the manufacturer. Maintenance and component replacements performed by unauthorized personnel will void the warranty.

### WARRANTY

Our products are guaranteed for 5 (five) years and cover manufacturing defects or defects in materials not attributable to improper use of the product. Excluded from the warranty are excessive or incorrect use of the product, natural wear of materials (fabrics), defects caused by interventions carried out outside the manufacturer's premises, and defects due to humid environments or atmospheres with the presence of salt or acids. Our warranties reflect the workmanship on the production materials and not the intrinsic qualities of the materials themselves.

### PRODUCT INFORMATION

The materials used are recyclable. At the end of its use, do not dispose of the product in the environment, but dispose of it according to the type of material. The company reserves the right to make changes to this catalog and production without prior notice.



aderente a



CONFINDUSTRIA VICENZA