



LUXY®

SWITCH

ARTICOL: SW7

CODE: 4SWDI08

DESCRIPTION

SWITCH is a collection of office chairs certified according to the new European standard EN1335-1:2020, where modern design and ergonomics merge to create a chair that perfectly meets everyday work needs. The version with a headrest makes Switch a versatile product, also suitable for ergonomic executive use.

BACKREST: Made of high-strength polypropylene loaded with glass fiber, supported by a black polypropylene back blade. The back blade contains an adjustable lumbar support, adjustable in height via a button, and in depth via a knob located in the central part of the backrest. The latter is covered in self-supporting mesh or padded with 25mm thick fireproof polyurethane foam with a density of 50 Kg/m³.

SEAT: With integrated 70mm slide, padded with 40mm thick fireproof polyurethane foam. Density 50 Kg/m³ with internal insert in polypropylene, cover in polypropylene reinforced by transversal steel bars.

FINISH: Black plastics.

3D ARMRESTS: (height, depth, inclination) black T-shaped version with black soft polyurethane pads.

MECHANISM: Synchronized automatic mechanism with tension controller, 5 locking positions with anti-shock function.

BASE: Black nylon.

CASTERS: Self-braking Ø 50 mm black rubberized casters.

HEADREST: Black polypropylene headrest.

FABRIC: It is possible to customize the choice according to a wide range of available colors.

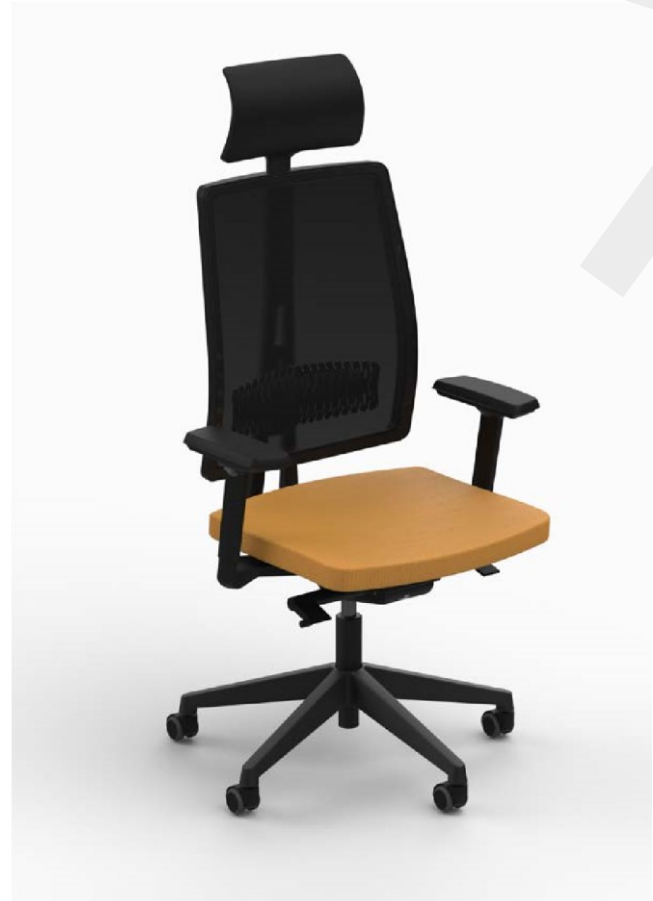
USAGE INSTRUCTIONS

Utilize the entire seating surface The surface of the anatomical seat must be fully occupied. Only in this way is the correct contact with the backrest guaranteed, ensuring adequate support.

MAINTENANCE AND CLEANING

Metal Parts For cleaning, use specific products for metal polishing to slow down natural oxidation due to contact.

Covering and Padding Any stains on the fabric covering can be removed either with mild neutral detergents or with specific products recommended by the manufacturer as sanitizing and water-repellent, for better preservation of the good condition of the covering. Padding, if presenting structural issues requiring maintenance, should be handled exclusively by specialized personnel.



ASSISTANCE

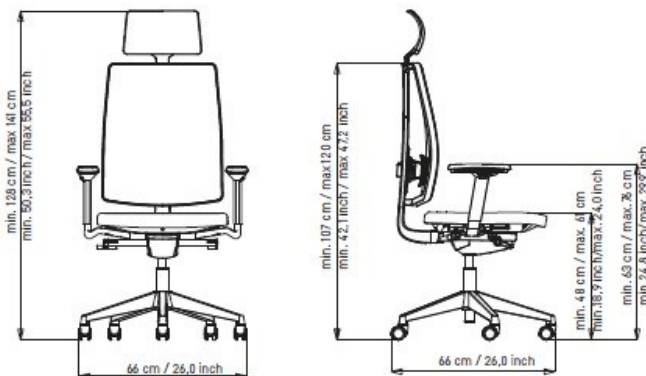
Service operations must be performed exclusively by specially trained personnel, and inquiries should be directed directly to LUXY as the manufacturer. Maintenance and component replacements carried out by unauthorized personnel will void the warranty.

WARRANTY

Our products are guaranteed for 5 (five) years and cover manufacturing defects or defects in materials not attributable to improper use or misuse of the product. Excluded from the warranty are excessive or incorrect use of the product, natural wear of materials (fabrics), defects caused by interventions carried out outside the manufacturer's premises, defects due to humid environments or atmospheres with the presence of salt or acids. Our warranties reflect the workmanship on the production materials and not the intrinsic qualities of the materials themselves.

PRODUCT INFORMATION

The materials used are recyclable. At the end of its use, do not dispose of the product in the environment, but dispose of it according to the type of material. The company reserves the right to make changes to this catalog and production without prior notice.



aderente a

