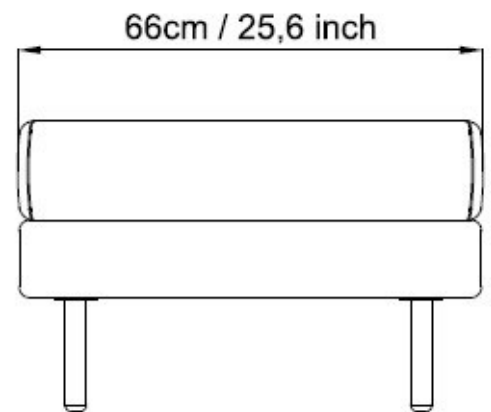
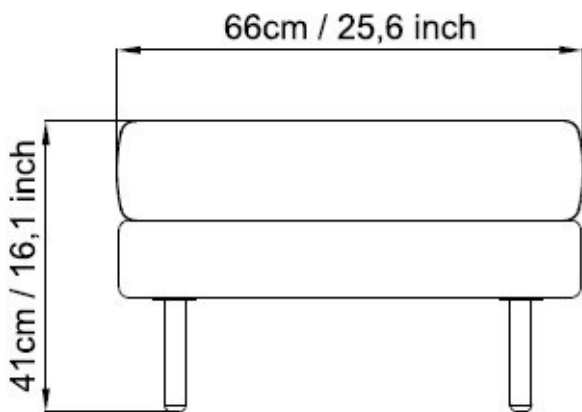


Articol: CU4
Code: 4CUPD36



DESCRIPTION

CUBE. Attention to detail, minimalism, and elegance. Cube embodies unparalleled comfort and pleasantness. The Cube system is appreciated for its ability to furnish any space, suitable for guest seating as well as informal meetings. The collection ensures elegance and modernity, offering pleasant comfort thanks to the special padding, expertly embellished with a quilted effect on the backrest, designed to provide enveloping comfort and a relaxing oasis. The wide range of finishes and colors of fireproof faux leather allow Cube to blend in with sobriety. To be inserted in work contexts, Cube completes the decor, filling the space in a sophisticated and all-encompassing manner like the design object that best expresses a passion for beauty and allows humanization in work environments. Elegance and adaptability to be combined and coordinated with the most suitable finishes and colors for the decor.

BACKREST: Polyurethane foam with a density of 40 kg/m³.

SEAT: Polyurethane foam with a density of 40 kg/m.

FABRIC: The choice of upholstery can be customized from a wide range of available colors. CUBE approved 11M with SURROUND coated fabric.

FRAME: Plywood and regenerated wood structure coated with polyurethane foam with a density of 40 kg/m³, with elastic straps on the seat.

FEET: Metal cylindrical section with a diameter of Ø 30 mm, powder-coated with black epoxy color finish. Also available in finishes of white, gray, aqua green, blush pink, and ivory.

USAGE INSTRUCTIONS

Use of the entire seating surface The surface of the anatomical seat must be fully occupied. Only then is the correct contact with the backrest guaranteed, ensuring adequate support.

MAINTENANCE AND CLEANING

Metal Parts: For cleaning, use specific products for metal polishing to slow down natural oxidation due to contact.

Upholstery and Padding: Any stains on the fabric upholstery can be removed either with mild neutral detergents or with specific products recommended by the manufacturer as sanitizers and water-repellents, for better preservation of the upholstery's good condition.

Padding, if it presents structural issues requiring maintenance, should be handled exclusively by specialized personnel.

ASSISTANCE

Service operations must be carried out exclusively by specially trained personnel, and requests should be directed directly to LUXY as the manufacturer. Maintenance and component replacements carried out by unauthorized personnel will invalidate the warranty.

WARRANTY

Our products are guaranteed for 5 (five) years and cover manufacturing defects or defects in materials not attributable to improper use of the product. Excluded from the warranty are excessive or improper use of the product, natural wear of materials (fabrics), defects caused by interventions carried out outside the manufacturer's premises, defects due to humid environments or atmospheres with the presence of salt or acids. Our warranties reflect the workmanship on the production materials and not their intrinsic qualities.

PRODUCT INFORMATION

The materials used are recyclable. At the end of its use, do not dispose of the product in the environment but dispose of it according to the type of material. The company reserves the right to make changes to this catalog and production without prior notice.

