



## ITALIA FLAT

**ARTICOL:** IT45

**CODE:** 4ITDI54

### DESCRIPTION

**ITALIA:** It is a collection of executive and representative chairs, a project where innovation and history blend, finding the perfect balance between shapes and colors. We have pushed beyond the known technology of office chairs. The range is available in high or medium back versions; the mechanism can be synchron or heavy-duty auto-synchron, ensuring ergonomics and comfort. The design and technology are completely innovative.

**"FLAT":** with smooth backrest padding.

**FABRIC:** It is possible to customize the choice from a wide range of available colors, also in the bi-color version. **BACKREST:** HIGH padded with flexible cold foamed fireproof polyurethane density 55 kg/m<sup>3</sup> with structural steel insert.

**SEAT:** padded with flexible cold foamed fireproof polyurethane density 50 kg/m<sup>3</sup> with high resistance steel insert.

**MECHANISM:** heavy-duty auto-synchron with 16° backrest tilt and 4° seat tilt, 4 locking positions, and 60 mm translocator adjustment. **BASE:** 4-star swivel fixed base in die-cast aluminum Ø 720 mm with polished finish or epoxy powder-coated finish in Black (NE), White (BI), Gray (GG), Aquamarine (VD), Powder Pink (MT), Ivory (SB).

### USAGE INSTRUCTIONS

**Utilization of the entire seating surface.** The surface of the anatomical seat must be fully occupied. Only in this way is the correct contact with the backrest guaranteed, and therefore adequate support.

### MAINTENANCE AND CLEANING

**Metal Parts** For cleaning, use specific products for polishing metals to slow down natural oxidation due to contact.

**Upholstery and Padding** Any stains on the upholstery fabric can be removed either with mild neutral detergents or with specific products recommended by the manufacturer as sanitizers and water repellents, for better preservation of the good condition of the upholstery. The padding, if it presents structural issues requiring maintenance, should be handled exclusively by specialized personnel.



### ASSISTANCE

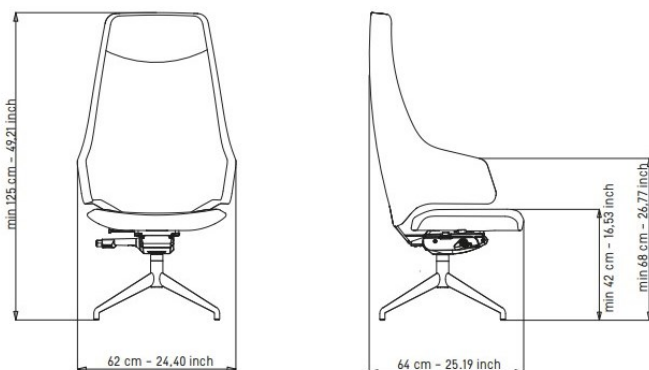
Service operations must be carried out exclusively by specially trained personnel, and requests forwarded directly to LUXY as the manufacturer. Maintenance and component replacements performed by unauthorized personnel will void the warranty.

### WARRANTY

Our products are guaranteed for 5 (five) years and cover manufacturing defects or defects in materials not attributable to misuse of the product or improper use. Excluded from the warranty are excessive or improper use of the product, natural wear and tear of materials (fabrics), defects caused by interventions carried out outside the manufacturer's premises, defects due to humid environments or atmospheres with presence of salt or acids. Our warranties reflect the processing carried out on the production materials and not their intrinsic qualities.

### PRODUCT INFORMATION

The materials used are recyclable. At the end of its use, do not dispose of the product in the environment, but dispose of it according to the type of material. The company reserves the right to make changes to this catalog and production, even without notice.



aderente a

