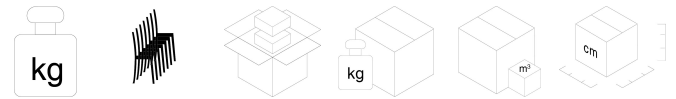
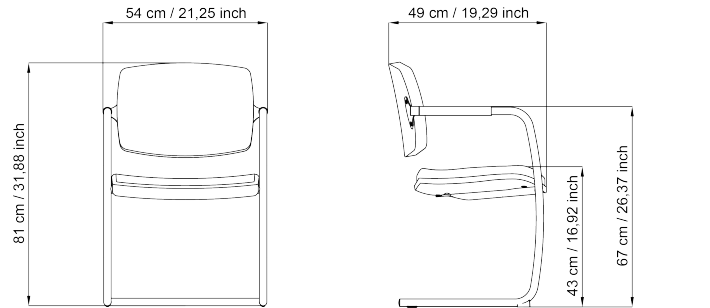


# AIRE JR

Design Stefano Getzel

article: 410B  
code: 4AIFC38



9,5 no 2 11,5 0,41 57X124 X58



Warranty: 5 years

## DESCRIPTION

Group Seating, upholstered medium backrest, pvc armrests, chromed structure, anti-overturning glide.

**FINISHING:** plastic back: clear, white, grey and sand coloured; grey seat support and armrests. Plastic back: black; black seat support and armrest.

**BACK:** upholstered in fire-retardant foam.

**SEAT:** in fire-retardant foam, density 50 kg/m<sup>3</sup> with multi-layer beech and poplar seat insert and covering seat support in polypropylene.

**ARMRESTS:** produced with thermal shaping system pvc black or grey, combined with the seat support.

**BASE:** high resistant round steel diameter Ø 25 mm, chromed finishing.

## MAINTENANCE

**CHROME PLATED PARTS:** Clean with a soft cloth with some neutral detergent to polish the steel.

**PAINTED PARTS:** Clean with soft cloth dampened slightly with water and dry with a dry cloth.

**PLASTIC PARTS:** Use soft cloth dampened slightly with water, without insistence, then dry with a dry cloth

**ALUMINIUM PARTS:** To clean use only specific products to polish metal parts in order to reduce the natural oxidation due to the hands contact. The aluminum parts tarnish naturally. LUXY recommends not using chemical detergents.

**FABRIC:** Fabric: pour some drops of neutral detergent on a damp and wringed out cloth, rub gently on the seat and leave it dry. See maintenance instructions on LUXY upholstery book. Luxy recommends using ecological products.

**LEATHER:** Leather is a natural product. Imperfections give to the material its unmistakable aspect. In presence of marks, they have to be removed with a soft wool cloth. In case of ingrained stains, use only products for leather coloured with aniline. Do not expose leather to direct sunlight. Luxy recommends using ecological products.

## MATERIAL AND RECYCLABILITY

