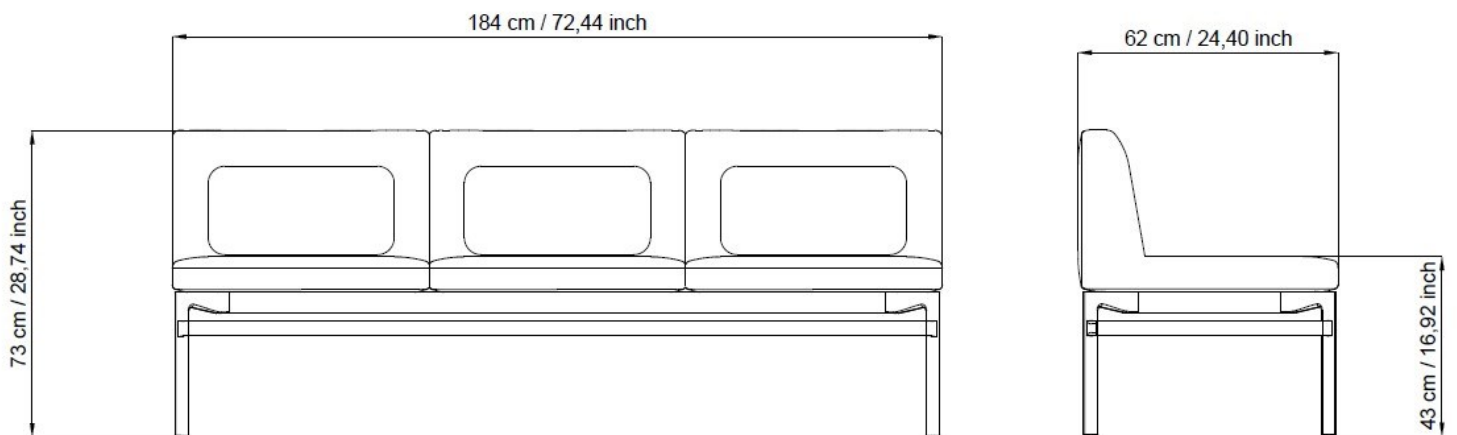


# PONTE

Articol: PO23 – PO24

Code: 4POTE136 – 4POTE144



## DESCRIZIONE

**PONTE:** From its first images, it reveals its versatile ability to adapt while always maintaining a highly recognizable style. It exceeds the standard of the sofa to establish itself as a true modular soft seating system: straight, curved, round, single-faced, or double-faced. All upholstered elements of Ponte are made of cold-molded flexible polyurethane, which enhances its perfection, comfort, durability over time, and aesthetic quality.

**SEAT AND BACKREST:** Made of cold-molded flexible polyurethane, fireproof, with a density of 70 kg/m<sup>3</sup> fully expanded with water and free of chlorofluorocarbons (CFCs) and hydrochlorofluorocarbons (HCFCs), with steel inserts and metal mesh reinforcements.

**FRAME:** Rectangular steel tube 50x30 painted black and oval steel tube Ø 35 mm in chrome finish (CR) or painted with epoxy powders in Black (NE), White (BI), Grey (GG), Aqua Green (VD), Powder Pink (MT), or Ivory (SB) colors.

**LEGS:** Die-cast aluminum legs with chrome finish (CR) or painted with epoxy powders in Black (NE), White (BI), Grey (GG), Aqua Green (VD), Powder Pink (MT), or Ivory (SB) colors; height 280 mm or 340 mm.

**FABRIC:** The upholstery selection can be customized from a wide range of available colors. PONTE is approved 11M with MIRAGE fabric and SURROUND coated fabric.

## USAGE INSTRUCTIONS

Utilization of the entire seating surface The surface of the anatomical seat must be fully occupied. Only then is the correct contact with the backrest guaranteed, ensuring adequate support.

## MAINTENANCE AND CLEANING

### Metal Parts

For cleaning, use specific products for metal polishing to slow down natural oxidation due to contact. Upholstery and Padding Any stains on the fabric covering can be removed with mild neutral detergents or with specific products recommended by the manufacturer as sanitizers and water repellents, for better preservation of the good condition of the covering. The padding, if it presents structural issues requiring maintenance, must be handled exclusively by specialized personnel.

## ASSISTANCE

Service operations must be carried out exclusively by specially trained personnel, and requests should be forwarded directly to LUXY as the manufacturer. Maintenance and component replacements performed by unauthorized personnel will void the warranty.

## WARRANTY

Our products are guaranteed for 5 (five) years and cover manufacturing defects or materials not attributable to improper use of the product. Excluded from the warranty are excessive or improper use of the product, natural wear and tear of materials (fabrics), defects caused by interventions performed outside the manufacturer's premises, defects due to humid environments or atmospheres with the presence of salt or acids. Our warranties reflect the manufacturing processes applied to the materials and not their intrinsic qualities.

## PRODUCT INFORMATION

The materials used are recyclable. At the end of its use, do not dispose of the product in the environment, but dispose of it according to the type of material. The company reserves the right to make changes to this catalog and production without prior notice.