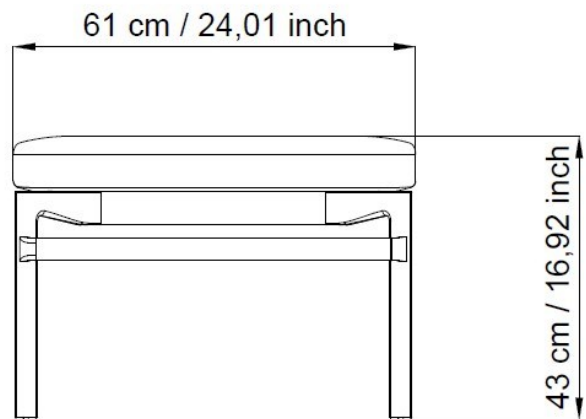
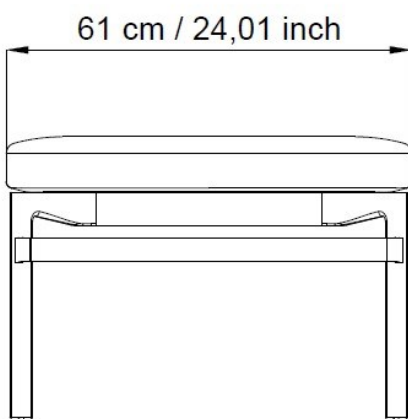


PONTE

Articol: PO2 – PO3

Code: 4POTE10 – 4POTE18



DESCRIPTION

PONTE: From its very first images, it reveals its versatile configuration capability while always maintaining a highly recognizable style. It surpasses the standard of the sofa to establish itself as a true modular soft seating system: straight, curved, round, single-sided, or double-sided. All upholstered elements of Ponte are made of flexible polyurethane cold molded, enhancing its perfection, comfort, durability over time, and aesthetic quality.

SEAT AND BACKREST: Made of flexible polyurethane cold molded, fireproof, with a density of 70 kg/m³ fully expanded with water and free of chlorofluorocarbons (CFC-free) and hydrochlorofluorocarbons (HCFC-free), with steel inserts and metal mesh reinforcements.

FRAME: Rectangular steel tube 50x30 painted black and steel oval tube Ø 35 mm in chrome finish (CR) or painted with epoxy powders in Black (NE), White (BI), Grey (GG), Aqua Green (VD), Powder Pink (MT), or Ivory (SB).

LEGS: Die-cast aluminum legs in chrome finish (CR) or painted with epoxy powders in Black (NE), White (BI), Grey (GG), Aqua Green (VD), Powder Pink (MT), or Ivory (SB); h 280 mm or h 340 mm.

FABRIC: The choice of upholstery can be customized according to a wide range of available colors. PONTE is approved 11M with MIRAGE fabric and with SURROUND coated fabric.

USAGE GUIDELINES: Utilization of the entire seating surface The surface of the anatomical seat must be fully occupied. Only in this way is correct contact with the backrest guaranteed, and therefore adequate support.

MAINTENANCE AND CLEANING

Metal Parts

For cleaning, use specific products for metal polishing to slow down natural oxidation due to contact. Upholstery and Padding Any stains on the upholstery fabric can be removed with mild neutral detergents or with specific products recommended by the manufacturer as sanitizing and water-repellent, for better preservation of the upholstery's good condition. Padding, if it presents structural problems requiring maintenance, must be handled exclusively by specialized personnel.

ASSISTANCE

Assistance operations must be carried out exclusively by specially trained personnel, and requests must be sent directly to LUXY as the manufacturer. Maintenance and component replacements performed by unauthorized personnel will void the warranty.

WARRANTY

Our products are guaranteed for 5 (five) years and cover manufacturing defects or materials not attributable to improper use of the product. Excluded from the warranty are excessive or incorrect use of the product, natural wear of materials (fabrics), defects caused by interventions carried out outside the manufacturer's premises, defects due to humid environments or atmospheres with the presence of salt or acids. Our warranties reflect the processes carried out on production materials and not the intrinsic qualities of the materials themselves.

PRODUCT INFORMATION

The materials used are recyclable. At the end of its use, do not dispose of the artifact in the environment, but dispose of it according to the type of material. The company reserves the right to make changes to this catalog and production without notice.