

## IN COLLECTION

**ARTICOL:** QO5T

**CODE:** 4ICQ056

### DESCRIPTION

**INCOLLECTION** is a collection of designer tables that come in three dimensional proposals, defining the environment where people gather, eat, drink, and exchange ideas. **INQUADRO** and **INTONDO** are the two collections that meet extremely high standards of quality, technicality, and design, strongly characterizing a shared space.

**INQUADRO** and **INTONDO** take their name from the characterization of their base.

**TABLETOP:** made of high-pressure decorative laminate (HPL) with a thickness of 12 mm (fig.1), compliant with EN 438 and ISO 4568 standards, round with dimensions  $\varnothing$  790 mm.

**STRUCTURE:** in the fixed version, a connecting cruise in die-cast aluminum between the tabletop and tube, finished with powder-coated epoxy paint in black color, and a high-strength steel tube with  $\varnothing$  50 mm diameter and 1.5 mm thickness, height 690 mm, chrome finish (CR) or powder-coated in black (NE), white (BI), gray (GG), aqua green (VD), blush pink (MT), or ivory (SB).

**BASE:** **INQUADRO** square base in steel 450x450 mm, thickness 10 mm, with a cover in polished stainless steel, thickness 1 mm, or powder-coated in black (NE), white (BI), gray (GG), aqua green (VD), blush pink (MT), or ivory (SB).

### INSTRUCTIONS FOR USE

Use the table as intended; in case of inappropriate use (e.g., as a ladder, sitting on it, or with extreme unilateral loads), there is a risk of accidents.

### MAINTENANCE AND CLEANING

**Metal Parts:** For cleaning, use specific products for metal polishing to slow down natural oxidation due to contact. **Coating and Padding:** Any stains on the coating fabric can be removed either with gentle neutral detergents or with specific products indicated by the manufacturer as sanitizing and water-repellent, for better preservation of the coating's good condition. **Padding:** If there are structural issues with the padding requiring maintenance, it should be handled exclusively by specialized personnel.



### SERVICE

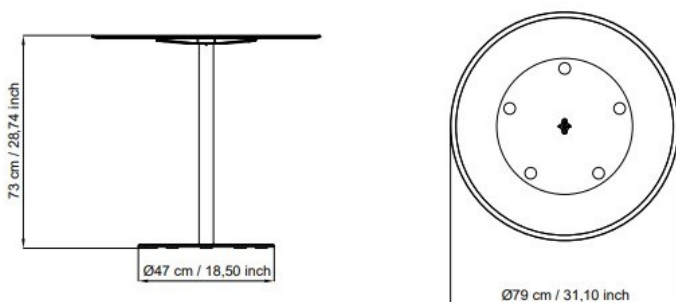
Service operations must be carried out exclusively by specially trained personnel, and requests should be submitted directly to LUXY as the manufacturer. Maintenance and component replacements performed by unauthorized personnel will void the warranty.

### WARRANTY

Our products are guaranteed for 5 (five) years and cover manufacturing defects or materials not attributable to improper use of the product. Exclusions from the warranty include excessive or improper use of the product, natural wear of materials (fabrics), defects caused by interventions carried out outside the manufacturer's premises, defects due to humid environments or atmospheres with presence of salt or acids. Our warranties reflect the processes applied to the production materials and not their intrinsic qualities.

### PRODUCT INFORMATION

The materials used are recyclable. At the end of its use, do not dispose of the product in the environment, but dispose of it according to the type of material. The company reserves the right to make changes to this catalog and production without prior notice.



aderente a

