

## IN COLLECTION

**ARTICOL:** QOIT  
**CODE:** 4ICQ008

### DESCRIPTION

**INCOLLECTION** is a collection of designer tables that comes in three dimensional proposals, defining the environment where people gather, eat, drink, and exchange ideas. **INQUADRO** and **INTONDO** are the two collections that meet extremely high standards of quality, technicality, and design, strongly characterizing a common space.

**INQUADRO** and **INTONDO** derive their names from the characterization of their base.

**TOP:** Decorative high-pressure laminate (HPL) with a thickness of 12 mm (fig.1) compliant with EN 438 and ISO 4568 standards, round dimensions Ø 590 mm.

**STRUCTURE:** In the fixed version, a connecting crosspiece made of die-cast aluminum between the top and the tube, finished with epoxy powder coating in black color and high-resistance steel tube Ø 50 mm thickness 1.5 mm, height 360 mm, chrome finish (CR) or epoxy powder coated in Black (NE), White (BI), Gray (GG), Aquamarine (VD), Powder Pink (MT), or Ivory (SB).

**BASE:** **INQUADRO** square base in steel 380x380 mm, thickness 10 mm, with polished stainless steel cover, thickness 1 mm or epoxy powder coated in Black (NE), White (BI), Gray (GG), Aquamarine (VD), Powder Pink (MT), or Ivory (SB).

### USAGE INSTRUCTIONS

Use the small table as intended. Inappropriate use (e.g., as a ladder, sitting on it, or subjecting it to extreme unilateral loads) may result in accidents.

### MAINTENANCE AND CLEANING

**Metal Parts:** For cleaning, use specific products for metal polishing to slow down natural oxidation due to contact. **Coating and Padding:** Any stains on the fabric coating can be removed either with mild neutral detergents or with specific products recommended by the manufacturer for sanitizing and water repellency, ensuring better preservation of the coating's condition. **Padding,** if exhibiting structural issues requiring maintenance, should be handled exclusively by specialized personnel.



### ASSISTANCE

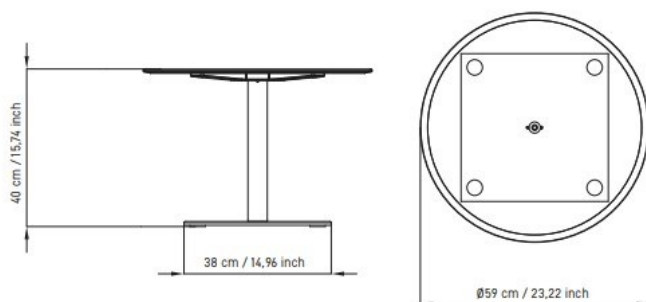
Service operations must be carried out exclusively by specially trained personnel, and requests should be forwarded directly to LUXY as the manufacturer. Maintenance and component replacements performed by unauthorized personnel will invalidate the warranty.

### WARRANTY

Our products are guaranteed for 5 (five) years and cover manufacturing defects or defects in materials not attributable to improper use of the product. Excluded from the warranty are excessive or improper use of the product, natural wear of materials (fabrics), defects caused by interventions performed outside the manufacturer's premises, defects due to humid environments or atmospheres with the presence of salt or acids. Our warranties reflect the workmanship on the production materials and not their intrinsic qualities.

### PRODUCT INFORMATION

The materials used are recyclable. At the end of its use, do not dispose of the product in the environment, but dispose of it according to the type of material. The company reserves the right to make changes to this catalog and production without prior notice.



aderente a

