



LUXY®

ITALIA FLAT

ARTICOL: IT42

CODE: 4ITDI52

DESCRIPTION

ITALIA: It is a collection of executive and representative chairs, a project where innovation and history blend, finding the perfect balance between shapes and colors. We have pushed beyond the known technology of office chairs. The range is available in versions with high or medium backrests; the mechanism can be synchron or synchron with heavy-duty auto ensuring ergonomics and comfort. The design and technology are completely innovative.

"FLAT": with smooth backrest padding.

FABRIC: The choice can be customized from a wide range of available colors, including the bi-color version.

BACKREST: HIGH padded with cold-cured flexible polyurethane foam, fireproof, density 55 kg/m³, with structural insert in steel. **SEAT:** padded with cold-cured flexible polyurethane foam, fireproof, density 50 kg/m³, with insert in high-resistance steel.

MECHANISM: heavy-duty auto synchron with 16° backrest tilt and 4° seat tilt, 4 locking positions, and 60 mm adjustment translator.

BASE: 5-star swivel base in die-cast aluminum with glossy finish or powder-coated in Black (NE), White (BI), Grey (GG), Aqua Green (VD), Blush Pink (MT), Ivory (SB). Black column in painted versions (NE, GG, VD, MT, AV), white in BI version, chrome in (CR) version.

CASTERS: self-braking Ø 65 mm rubber wheels mounted on bases in Black (NE), Grey (GG), Aqua Green (VD), Blush Pink (MT), Ivory (SB), Chrome (CR), while in the White (BI) base version, they are white. **FEET:** 65 mm height in plastic with inserts suitable for all types of floors, chrome, white, or black color.

USAGE INSTRUCTIONS

Utilization of the entire seating surface: The surface of the ergonomic seat must be fully occupied. Only then is correct contact with the backrest ensured, providing adequate support.

MAINTENANCE AND CLEANING

Metal Parts: For cleaning, use specific products for metal polishing to slow down natural oxidation due to contact.

Upholstery and Padding: Any stains on the fabric upholstery can be removed either with mild neutral detergents or with specific products indicated by the manufacturer as sanitizing and water-repellent, for better preservation of the upholstery's good condition. **Padding:** If the padding presents structural issues requiring maintenance, it must be handled exclusively by specialized personnel.



ASSISTANCE

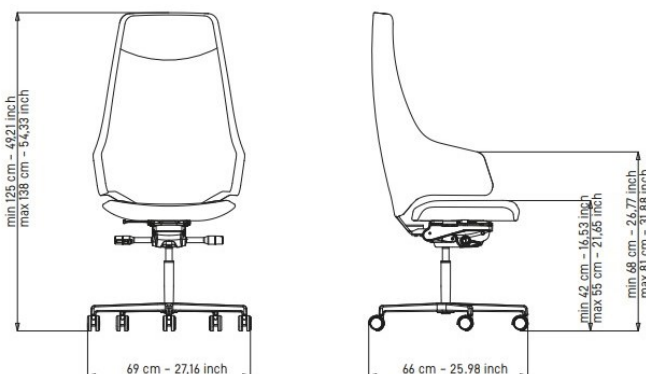
Service operations must be exclusively carried out by specially trained personnel, and inquiries forwarded directly to LUXY as the manufacturer. Maintenance and component replacements performed by unauthorized personnel will void the warranty.

WARRANTY

Our products are guaranteed for 5 (five) years and cover manufacturing defects or materials not attributable to improper use of the product. Excluded from the warranty are excessive or improper use of the product, natural wear of materials (fabrics), defects caused by interventions carried out outside the manufacturer's premises, defects due to humid environments or atmospheres with the presence of salt or acids. Our warranties reflect the processes applied to the production materials and not their intrinsic qualities.

PRODUCT INFORMATION

The materials used are recyclable. At the end of its use, do not dispose of the product in the environment, but dispose of it according to the type of material. The company reserves the right to make changes to this catalog and production without prior notice.



aderente a



CONFINDUSTRIA VICENZA