

SWITCH

ARTICOL: SW11

CODE: 4SWG114

DESCRIPTION

SWITCH is a collection of operational seats certified according to the new European regulation EN1335-1:2020, where modern design and ergonomics blend together, giving life to a seat that perfectly meets everyday work needs.

BACKREST: Made of high-strength polypropylene loaded with glass fiber, supported by a black polypropylene back blade. The back blade contains an adjustable lumbar support both in height, via button, and in depth, via a wheel located in the central part of the backrest. The latter is covered in self-supporting mesh or padded with fireproof expanded polyurethane with a thickness of 25 mm and a density of 50 Kg/m³.

SEAT: Equipped with an integrated 70mm translation mechanism, padding in fireproof expanded polyurethane with a thickness of 40mm and a density of 50 Kg/m³ with internal insert in polypropylene, cover in polypropylene reinforced by transversal steel bars.

FINISH: Black plastics.

MECHANISM: Synchronized automatic mechanism with tension regulator, 5 locking positions with anti-shock function.

BASE: Black nylon.

CASTERS: Self-braking Ø 50 mm black rubber wheels. **FABRIC:** Customization of color choice is available from a wide range of colors.

USAGE INSTRUCTIONS

Utilize the entire seating surface. The surface of the anatomical seat must be fully occupied. Only in this way is the correct contact with the backrest guaranteed, thus ensuring adequate support.

MAINTENANCE AND CLEANING

Metal Parts: For cleaning, use specific products for metal polishing to slow down natural oxidation due to contact.

Covering and Padding: Any stains on the covering fabric can be eliminated either with neutral mild detergents or with specific products indicated by the manufacturer as sanitizing and water-repellent, for better preservation of the covering's good condition. The paddings, if they present structural issues requiring maintenance, must be handled exclusively by specialized personnel.



ASSISTANCE

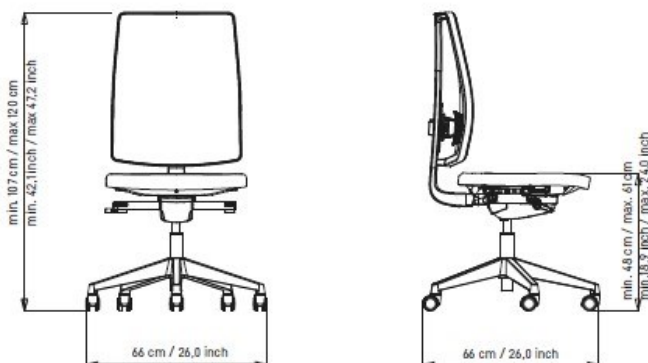
Service operations must be carried out exclusively by specially trained personnel, and requests should be forwarded directly to LUXY as the manufacturer. Maintenance and component replacements performed by unauthorized personnel will void the warranty.

WARRANTY

Our products are guaranteed for 5 (five) years and cover manufacturing defects or materials not attributable to misuse or improper use of the product. Excluded from the warranty are excessive or improper use of the product, natural wear of materials (fabrics), defects caused by interventions carried out outside the manufacturer's premises, defects due to humid environments or atmospheres containing salt or acids. Our warranties reflect the processes applied to the production materials rather than their intrinsic qualities.

PRODUCT INFORMATION

The materials used are recyclable. At the end of its use, do not dispose of the product in the environment, but dispose of it according to the type of material. The company reserves the right to make changes to this catalog and production without prior notice.



aderente a

