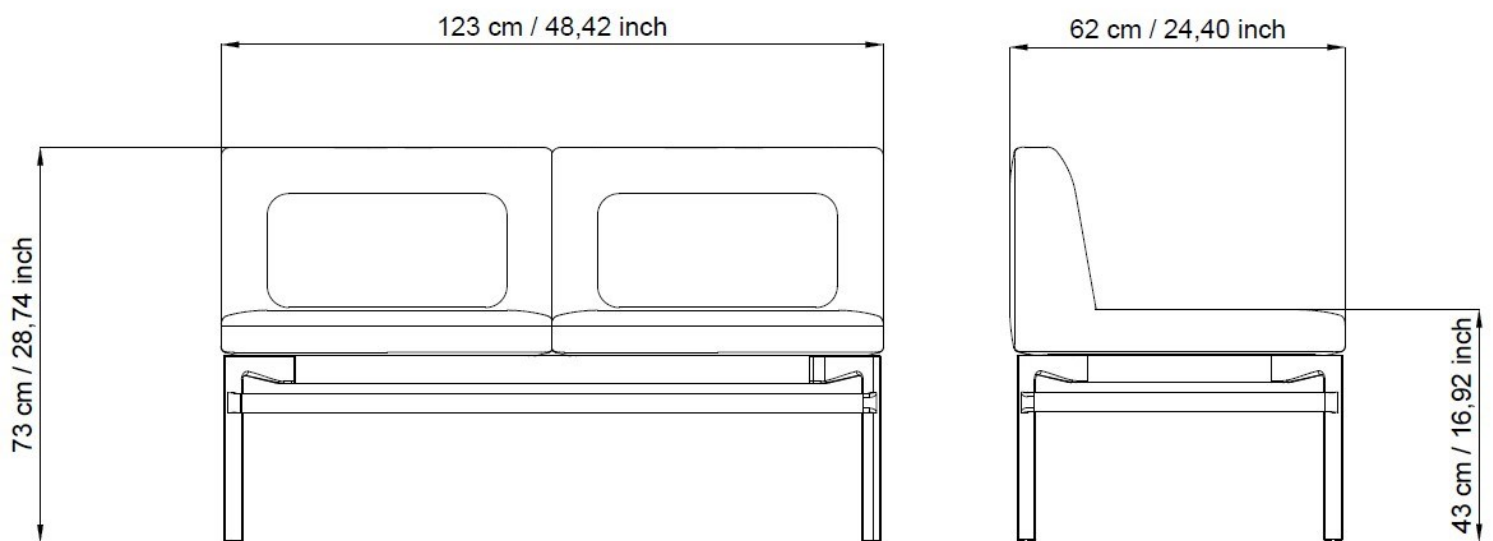


PONTE

Articol: PO20 – PO21

Code: 4POTE118 – 4POTE126



DESCRIPTION

PONTE: From its very first images, it reveals its versatile configuration capability while always maintaining a highly recognizable style. It surpasses the standard of the sofa to establish itself as a true modular soft seating system: straight, curved, round, single-faced, or double-faced. All upholstered elements of Ponte are made of flexible polyurethane cold-molded, enhancing its perfection, comfort, durability over time, and aesthetic quality.

SEAT AND BACKREST: Made of flexible polyurethane cold-molded, fire-resistant, density 70 kg/m³ fully expanded with water, and free of chlorofluorocarbons (CFC-free) and hydrochlorofluorocarbons (HCFC-free), with steel inserts and metal mesh reinforcements.

FRAME: Rectangular steel tube 50x30 painted black and steel oval tube Ø 35 mm in chrome finish (CR) or painted with epoxy powders in Black (NE), White (BI), Grey (GG), Aqua Green (VD), Powder Pink (MT), or Ivory (SB).

LEGS: Die-cast aluminum legs, chrome finish (CR) or painted with epoxy powders in Black (NE), White (BI), Grey (GG), Aqua Green (VD), Powder Pink (MT), or Ivory (SB); h 280 mm or h 340 mm.

FABRIC: The choice of upholstery can be customized from a wide range of available colors. PONTE approved 11M with MIRAGE fabric and with SURROUND coated fabric.

USAGE INSTRUCTIONS

Use of the entire seating surface The surface of the anatomical seat must be fully occupied. Only in this way is the correct contact with the backrest and therefore adequate support guaranteed.

MAINTENANCE AND CLEANING

Metal Parts

For cleaning, use specific products for metal polishing to slow down natural oxidation due to contact. Upholstery and Padding: Any stains on the upholstery fabric can be removed either with neutral mild detergents or with specific products recommended by the manufacturer as sanitizers and water-repellents, for better maintenance of the upholstery. The padding, if it presents structural issues requiring maintenance, must be handled exclusively by specialized personnel.

ASSISTANCE

Service operations must be carried out exclusively by specially trained personnel, and inquiries should be directed directly to LUXY as the manufacturer. Maintenance and component replacements performed by unauthorized personnel will void the warranty.

WARRANTY

Our products are guaranteed for 5 (five) years and cover manufacturing defects or materials not attributable to improper use of the product. Exclusions from the warranty include excessive or improper use of the product, natural wear and tear of materials (fabrics), defects caused by interventions carried out outside the manufacturer's premises, defects due to humid environments or atmospheres with presence of salt or acids. Our warranties reflect the processes applied to the manufacturing materials and not their intrinsic qualities.

PRODUCT INFORMATION

The materials used are recyclable. At the end of its use, do not dispose of the product in the environment, but dispose of it according to the type of material. The company reserves the right to make changes to this catalog and production without prior notice.