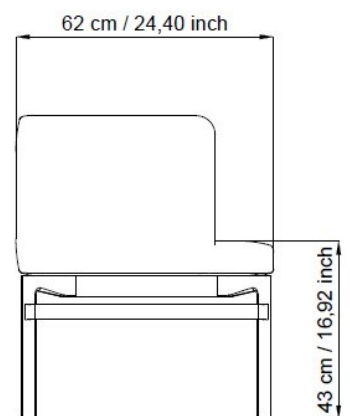
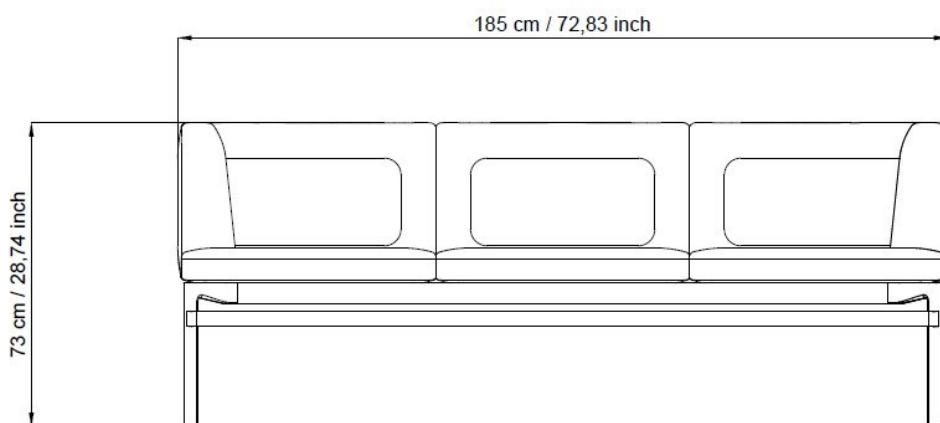


PONTE

Articol: PO38 – PO39

Code: 4POTE226 – 4POTE234



DESCRIPTION

PONTE: From its first images, it reveals its multifaceted ability to maintain a consistently recognizable style. It surpasses the standard of the sofa to establish itself as a true modular soft seating system: straight, curved, round, single-faced, or double-faced. All upholstered elements of Ponte are made of cold-molded flexible polyurethane, enhancing its perfection, comfort, long-term durability, and aesthetic quality.

SEAT AND BACKREST: Made of fire-retardant, cold-molded flexible polyurethane, with a density of 70 kg/m³ fully expanded with water and free of chlorofluorocarbons (CFC-free) and hydrofluorocarbons (HCFC-free), with steel inserts and metal mesh reinforcements.

FRAME: Rectangular steel tube 50x30, painted black, and oval steel tube Ø 35 mm available in chrome finish (CR) or painted with epoxy powders in Black (NE), White (BI), Gray (GG), Aqua Green (VD), Powder Pink (MT), or Ivory (SB) colors

LEGS: Die-cast aluminum legs available in chrome finish (CR) or painted with epoxy powders in Black (NE), White (BI), Gray (GG), Aqua Green (VD), Powder Pink (MT), or Ivory (SB) colors; height options of 280 mm or 340 mm.

FABRIC: The choice of upholstery can be customized from a wide range of available colors. PONTE is approved 1IM with MIRAGE fabric and with SURROUND coated fabric.

USAGE INSTRUCTIONS

Utilization of the entire seating surface The surface of the anatomical seat must be fully occupied. Only in this way is the correct contact with the backrest guaranteed, ensuring adequate support.

MAINTENANCE AND CLEANING

Metal Parts

For cleaning, use specific products for metal polishing to slow down natural oxidation due to contact. Upholstery and Padding Any stains on the upholstery fabric can be removed with mild neutral detergents or with specific products recommended by the manufacturer as sanitizing and waterproofing agents, for better preservation of the upholstery's good condition. Padding, if it presents structural issues requiring maintenance, should be handled exclusively by specialized personnel.

ASSISTANCE

Service operations must be carried out exclusively by specially trained personnel, and requests should be forwarded directly to LUXY as the manufacturer. Maintenance and component replacements performed by unauthorized personnel will void the warranty.

WARRANTY

Our products are guaranteed for 5 (five) years and cover manufacturing defects or materials defects not attributable to misuse or improper use of the product. Excluded from the warranty are excessive or improper use of the product, natural wear of materials (fabrics), defects caused by interventions carried out outside the manufacturer's premises, defects due to humid environments or atmospheres with the presence of salt or acids. Our warranties reflect the processing of production materials and not their intrinsic qualities.

PRODUCT INFORMATION

The materials used are recyclable. At the end of its use, do not dispose of the product in the environment, but dispose of it according to the type of material. The company reserves the right to make changes to this catalog and production without prior notice.