

## IN COLLECTION

ARTICOL: TO4T

CODE: 4ICT044

### DESCRIPTION

**INCOLLECTION** is a collection of design tables that come in three dimensional proposals, defining the environment where one gathers, eats, drinks, and exchanges ideas. **INQUADRO** and **INTONDO** are the two collections that meet very high standards of quality, technicality, and design, strongly characterizing a common space.

**INQUADRO** and **INTONDO** derive their names from the characterization of their base.

**TABLETOP:** Decorative high-pressure laminate (HPL) with a thickness of 12 mm (fig.1) complying with EN 438 and ISO 4568 standards, round dimensions  $\varnothing$  790 mm;

**STRUCTURE:** In the fixed version, a junction cruise in die-cast aluminum between the top and tube, finished with epoxy powders in black color, and high-strength steel tube  $\varnothing$  50 mm, thickness 1.5 mm, height 360 mm, chromed finish (CR) or painted with epoxy powders in Black (NE), White (BI), Gray (GG), Aqua Green (VD), Powder Pink (MT), or Ivory (SB) color.

**BASE:** **INTONDO** round steel base with a thickness of 10 mm,  $\varnothing$  470 mm, with a cover in polished stainless steel with a thickness of 1 mm. Or painted with epoxy powders in Black (NE), White (BI), Gray (GG), Aqua Green (VD), Powder Pink (MT), or Ivory (SB) color.

### USAGE INSTRUCTIONS

Use the table as intended, in case of inappropriate use (e.g., as a ladder, sitting on it, or with extreme unilateral loads), there is a risk of accident.

### MAINTENANCE AND CLEANING

**Metal Parts:** For cleaning, use specific products for metal polishing to slow down natural oxidation due to contact.

**Coating and Padding:** Any stains on the upholstery fabric can be removed either with **mild neutral detergents or with specific products recommended by the manufacturer as sanitizing and water-repellent**, for better preservation of the upholstery's good condition. If the paddings present structural issues requiring maintenance, they must be handled exclusively by specialized personnel.



### ASSISTANCE

Service operations must be carried out exclusively by specially trained personnel, and requests must be submitted directly to LUXY as the manufacturer. Maintenance and component replacements performed by unauthorized personnel will void the warranty.

### WARRANTY

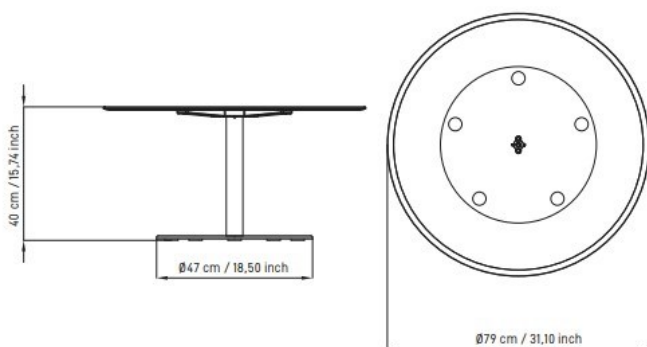
Our products are guaranteed for 5 (five) years and cover manufacturing defects or defects in materials not attributable to improper use of the product.

Excluded from the warranty are excessive or improper use of the product, natural wear and tear of materials (fabrics), defects caused by interventions carried out outside the manufacturer's premises, defects due to humid environments or atmospheres with the presence of salt or acids. Our warranties reflect the processes carried out on the production materials and not their intrinsic qualities.

### PRODUCT INFORMATION

The materials used are recyclable. At the end of its use, do not dispose of the product in the environment, but dispose of it according to the type of material.

The company reserves the right to make changes to this catalog and production without prior notice.



aderente a

