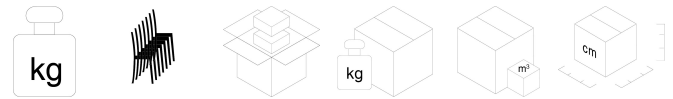
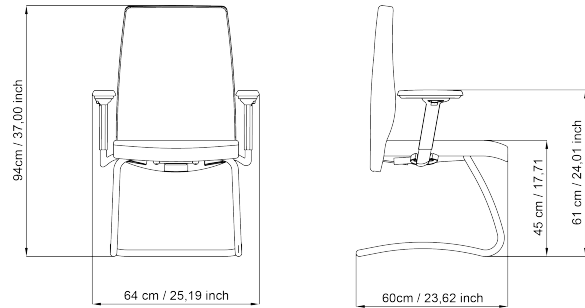


SMARTOFFICE

Design Air Design

article: OF8
code: 4OFFI08



19,5 no 1 22,5 0,3 91x70x68



Warranty: 5 years

DESCRIPTION

Visitor chair with medium backrest, adjustable black armrests 3D, black painted structure.

BACKREST: padding in fire-retardant flexible polyurethane foam, density 60 Kg/m³, with high resistance steel perimetral insert, height adjustable by up-down blade with with 60 mm excursion.

SEAT: padding in fire-retardant expanded polyurethane, density 40 Kg/m³, with insert in 10 mm thick beech plywood.

ARMRESTS: 3D armrest: (height wide and depth) T shape version black with soft polyurethane pad.

MAINTENANCE

CHROME PLATED PARTS: Clean with a soft cloth with some neutral detergent to polish the steel.

PAINTED PARTS: Clean with soft cloth dampened slightly with water and dry with a dry cloth.

PLASTIC PARTS: Use soft cloth dampened slightly with water, without insistence, then dry with a dry cloth

ALUMINIUM PARTS: To clean use only specific products to polish metal parts in order to reduce the natural oxidation due to the hands contact. The aluminum parts tarnish naturally. LUXY recommends not using chemical detergents.

FABRIC: Fabric: pour some drops of neutral detergent on a damp and wringed out cloth, rub gently on the seat and leave it dry. See maintenance instructions on LUXY upholstery book. Luxy recommends using ecological products.

LEATHER: Leather is a natural product. Imperfections give to the material its unmistakable aspect. In presence of marks, they have to be removed with a soft wool cloth. In case of ingrained stains, use only products for leather coloured with aniline. Do not expose leather to direct sunlight. Luxy recommends using ecological products.

MATERIAL AND RECYCLABILITY

