



# LUXY®

## ITALIA

### EXTRASOFT

**ARTICOL:** IT22

**CODE:** 4ITDI42

#### DESCRIPTION

**ITALIA:** It is a collection of executive and representative chairs, a project where innovation and history merge, finding the perfect balance between shapes and colors. We have pushed beyond the known technology of office seating. The range is available in versions with high or medium backrest; the mechanism can be synchron or synchron auto heavy, ensuring ergonomics and comfort. The design and technology are completely innovative.

**"EXTRA SOFT":** with quilted backrest padding.

**FABRIC:** The choice can be customized from a wide range of available colors, also in the bi-color version.

**BACKREST:** HIGH padded with flexible cold foam polyurethane, fire-resistant, density 55 kg/m<sup>3</sup> with structural insert in steel.

**SEAT:** padded with flexible cold foam polyurethane, fire-resistant, density 50 kg/m<sup>3</sup> with high-strength steel insert. **MECHANISM:** heavy-duty synchron auto mechanism with anti-shock, 16° backrest tilt and 4° seat tilt, 4 locking positions, and 60 mm translational adjustment.

**BASE:** 5-spoke swivel base in die-cast aluminum with polished finish or painted with epoxy powder in Black (NE), White (BI), Gray (GG), Aqua Green (VD), Blush Pink (MT), Ivory (SB). Black column in painted versions (NE, GG, VD, MT, AV), white in the BI version, chrome-plated in the (CR) version.

**CASTERS:** self-braking rubber Ø 65 mm mounted on versions with Black (NE), Gray (GG), Aqua Green (VD), Blush Pink (MT), Ivory (SB), Chrome (CR) bases, while white on the BI base version (BI).

**FEET:** 65 mm height in plastic with inserts suitable for all types of floors in chrome, white, or black color.

#### USAGE INSTRUCTIONS

**Use of the entire seating surface** The surface of the ergonomic seat should be fully occupied. Only in this way is correct contact with the backrest ensured, and thus adequate support.

#### MAINTENANCE AND CLEANING

**Metal Parts:** For cleaning, use specific products for polishing metals to slow down natural oxidation due to contact.

**Upholstery and Padding:** Any stains on the upholstery fabric can be removed either with mild neutral detergents or with specific products indicated by the manufacturer as sanitizing and water-repellent, for better preservation of the upholstery's good condition. **Padding:** If structural issues arise that require maintenance, they should be handled exclusively by specialized personnel.



#### ASSISTANCE

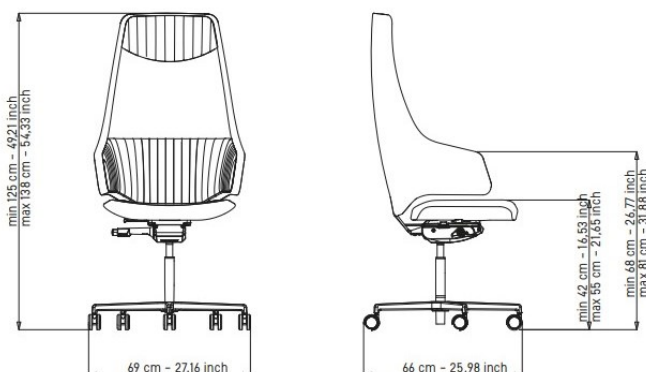
Service operations must be carried out exclusively by specially trained personnel, and requests should be forwarded directly to LUXY as the manufacturer. Maintenance and component replacements performed by unauthorized personnel will void the warranty.

#### WARRANTY

Our products are guaranteed for 5 (five) years and cover manufacturing defects or defects in materials not attributable to improper use of the product. Excluded from the warranty are excessive or incorrect use of the product, natural wear of materials (fabrics), defects caused by interventions carried out outside the manufacturer's premises, defects due to humid environments or atmospheres with the presence of salt or acids. Our warranties reflect the workmanship on the production materials and not the intrinsic qualities of the materials themselves.

#### PRODUCT INFORMATION

The materials used are recyclable. At the end of its use, do not dispose of the product in the environment, but dispose of it according to the type of material. The company reserves the right to make changes to this catalog and production without prior notice.



aderente a

