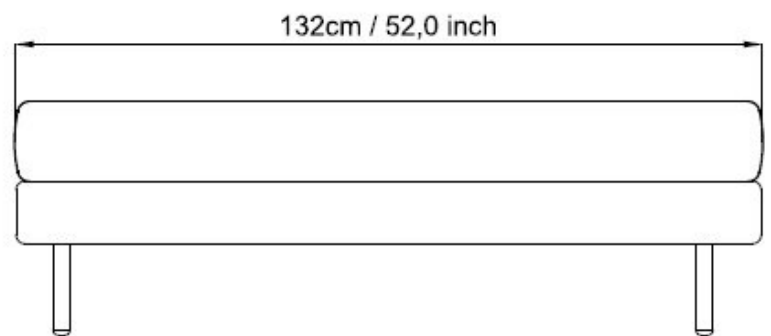
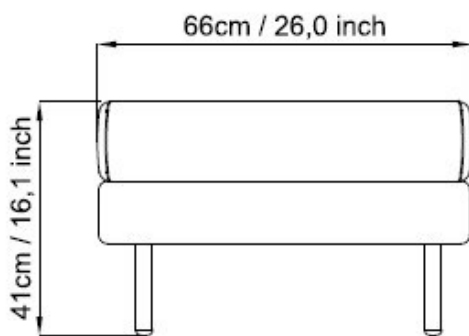


Articol: CU5  
Code: 4CUPD38



## DESCRIZIONE

CUBE. Attention to detail, minimalism, and elegance. Cube is an expression of unparalleled comfort and pleasure. The Cube system is appreciated for its ability to furnish any space, suitable for guests as well as informal meetings. The collection ensures elegance and modernity, pleasant comfort thanks to the special padding, artisanally embellished with quilted effect on the backrest, designed to offer enveloping comfort and a relaxation oasis. The wide range of finishes and colors of fire-retardant faux leather allow Cube to blend in with sobriety. Designed for workplace settings, Cube completes the decor by elegantly filling the space like the design object that best conveys the passion for beauty and enables humanization in work environments. Elegance and adaptability to be combined and coordinated with the most suitable finishes and colors for decoration.

**BACKREST:** made of expanded polyurethane with a density of 40 kg/m<sup>3</sup>.

**SEAT:** made of expanded polyurethane with a density of 40 kg/m<sup>3</sup>.

**FABRIC:** The choice of upholstery can be customized from a wide range of available colors. CUBE is certified 11M with SURROUND coated fabric.

**FRAME:** Made of plywood and regenerated wood coated with expanded polyurethane with a density of 40 kg/m<sup>3</sup>, featuring elastic straps on the seat.

**FEET:** Made of metal with cylindrical section of Ø 30 mm, painted finish with black epoxy powder coating. Also available in white, gray, aqua green, blush pink, and ivory finishes.

## USAGE INSTRUCTIONS

Utilization of the entire seating surface is recommended. The surface of the anatomical seat should be fully occupied. Only then is proper contact with the backrest ensured, providing adequate support.

## MAINTENANCE AND CLEANING

**Metal Parts** For cleaning, use specific products for metal polishing to slow down natural oxidation due to contact.

**Upholstery and Padding** Any stains on the fabric upholstery can be removed either with neutral mild detergents or with specific products recommended by the manufacturer for sanitizing and waterproofing, for better preservation of the upholstery's good condition. Padding, if presenting structural issues requiring maintenance, must be handled exclusively by specialized personnel.

## ASSISTANCE

Service operations must be carried out exclusively by specially trained personnel, and requests should be directed directly to LUXY as the manufacturer. Maintenance and component replacements carried out by unauthorized personnel will void the warranty.

## WARRANTY

Our products are guaranteed for 5 (five) years and cover manufacturing defects or materials not attributable to improper use of the product. Excluded from the warranty are excessive or improper use of the product, natural wear of materials (fabrics), defects caused by interventions carried out outside the manufacturer's premises, defects due to humid environments or atmospheres with presence of salt or acids. Our warranties reflect the processes applied to the production materials and not their intrinsic qualities.

## PRODUCT INFORMATION

The materials used are recyclable. At the end of its use, do not dispose of the product in the environment, but dispose of it according to the type of material. The company reserves the right to make changes to this catalog and production without prior notice.

