



LUXY®

ITALIA FLAT

ARTICOL: IT41

CODE: 4ITDI50

DESCRIPTION

ITALIA: is a collection of executive and representative chairs, a project where innovation and history merge, finding the perfect balance between shapes and colors. We have pushed beyond the known technology of office chairs. The range is available in versions with high or medium backrests; the mechanism can be synchronous or heavy-duty synchronous, guaranteeing ergonomics and comfort. The design and technology are completely innovative.

"FLAT": with smooth backrest padding.

FABRIC: The choice can be personalized from a wide range of available colors, including in the bi-color version.

BACKREST: HIGH padded with cold foam flexible polyurethane fire-retardant density 55 kg/m³ with structural steel insert.

SEAT: padded with cold foam flexible polyurethane fire-retardant density 50 kg/m³ with high-resistance steel insert.

MECHANISM: synchronous with lateral intensity adjustment and with 20° backrest inclination and 8° seat inclination, 5 lock positions, and 60 mm adjustment translator.

BASE: 5-spoke swivel base in die-cast aluminum with glossy finish or powder-coated in Black (NE), White (BI), Grey (GG), Aqua Green (VD), Powder Pink (MT), Ivory (SB). Black column in painted versions (NE, GG, VD, MT, AV), white in BI version, chrome-plated in CR version.

WHEELS: Self-braking rubber Ø 65 mm black wheels mounted on bases in Black (NE), Grey (GG), Aqua Green (VD), Powder Pink (MT), Ivory (SB), Chrome (CR), while in White (BI) base version, wheels are white. **FEET:** 65 mm height plastic feet with suitable inserts for all types of floors in chrome, white, or black color.

USAGE INSTRUCTIONS

Utilization of the entire seating surface: The surface of the anatomical seat must be fully occupied. Only in this way is the correct contact with the backrest guaranteed, ensuring adequate support.

MAINTENANCE AND CLEANING

Metal Parts: For cleaning, use specific products for metal polishing, in order to slow down the natural oxidation due to contact.

Upholstery and Padding: Any stains on the fabric upholstery can be removed either with mild neutral detergents or with specific products indicated by the manufacturer itself as sanitizing and water-repellent, for better preservation of the upholstery's good condition. **Padding:** If there are structural issues with the padding that require maintenance, they must be handled exclusively by specialized personnel.



SERVICE

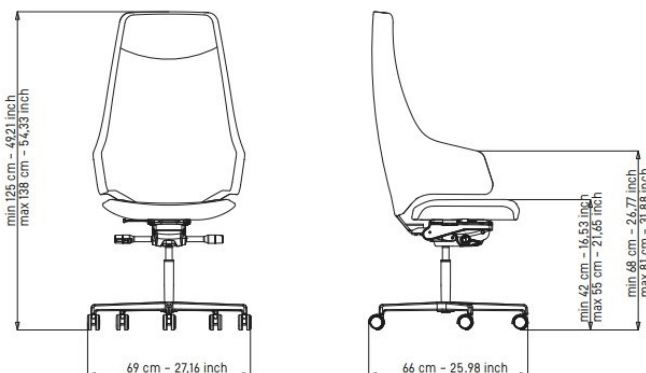
Service operations must be carried out exclusively by specially trained and authorized personnel, and requests should be forwarded directly to LUXY as the manufacturer. Maintenance and component replacements performed by unauthorized personnel will void the warranty.

WARRANTY

Our products are guaranteed for 5 (five) years and cover manufacturing defects or materials faults not attributable to improper use of the product. Excluded from the warranty are excessive or improper use of the product, natural wear of materials (fabrics), defects caused by interventions carried out outside the manufacturer's premises, defects due to humid environments or atmospheres with the presence of salt or acids. Our warranties reflect the manufacturing processes applied to the materials and not their intrinsic qualities.

PRODUCT INFORMATION

The materials used are recyclable. At the end of its use, do not dispose of the product in the environment, but dispose of it according to the type of material. The company reserves the right to make changes to this catalog and production without prior notice.



aderente a



CONFINDUSTRIA VICENZA