

**ARTICOL:** IT21  
**CODE:** 4ITDI40

#### DESCRIPTION

**ITALIA:** It is a collection of executive and representative chairs, a project where innovation and history blend, finding the perfect balance between shapes and colors. We have pushed beyond the known technology of office chairs. The range is available in high or medium back versions; the mechanism can be synchron or heavy-duty auto-synchron, ensuring ergonomics and comfort. The design and technology are completely innovative.

**“EXTRA SOFT”:** with quilted backrest padding.

**FABRIC:** The choice can be personalized according to a wide range of available colors, including the bi-color version. **BACKREST:** HIGH padded with flexible cold foamed fireproof polyurethane density 55 kg/m<sup>3</sup> with structural steel insert.

**SEAT:** padded with flexible cold foamed fireproof polyurethane density 50 kg/m<sup>3</sup> with high resistance steel insert.

**MECHANISM:** synchron with lateral intensity adjustment and with antishock 20° backrest inclination and 8° seat inclination, 5 locking positions, and 60 mm translocator adjustment.

**BASE:** 5-star swivel base in die-cast aluminum with glossy finish or epoxy powder-coated finish in Black (NE), White (BI), Gray (GG), Aquamarine (VD), Powder Pink (MT), Ivory (SB). Black column in painted versions (NE, GG, VD, MT, AV), white in the BI version, chrome-plated in the CR version. **WHEELS:** self-braking rubber Ø 65 mm black mounted in versions with Black (NE), Gray (GG), Aquamarine (VD), Powder Pink (MT), Ivory (SB), Chrome (CR) bases, while in the White (BI) base version they are white. **FEET:** 65 mm height in plastic with suitable inserts for all types of floors, chrome, white, or black.

#### USAGE INSTRUCTIONS

**Utilization of the entire seating surface.** The surface of the ergonomic seat must be fully occupied. Only then is the correct contact with the backrest guaranteed, ensuring adequate support.

#### MAINTENANCE AND CLEANING

**Metal Parts** For cleaning, use specific products for metal polishing, in order to slow down natural oxidation due to contact.

**Upholstery and Padding** Any stains on the fabric upholstery can be removed either with mild neutral detergents or with specific products recommended by the manufacturer as sanitizing and water-repellent, for better preservation of the good condition of the upholstery. The padding, if it presents structural issues requiring maintenance, must be handled exclusively by specialized personnel.



#### SERVICE

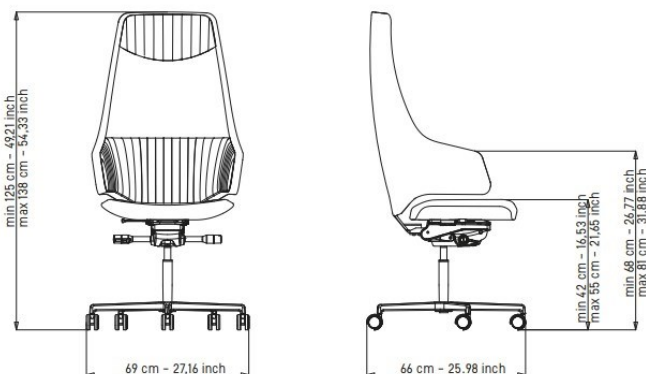
Service operations must be carried out exclusively by specially trained personnel, and requests must be submitted directly to LUXY as the manufacturer. Maintenance and component replacements performed by unauthorized personnel will void the warranty.

#### WARRANTY

Our products are guaranteed for 5 (five) years and cover manufacturing defects or defects in materials not attributable to misuse of the product or improper use. Excluded from the warranty are excessive or improper use of the product, natural wear and tear of materials (fabrics), defects caused by interventions carried out outside the manufacturer's premises, defects due to humid environments or atmospheres with presence of salt or acids. Our warranties reflect the processing carried out on the production materials and not their intrinsic qualities.

#### PRODUCT INFORMATION

The materials utilized are recyclable. Upon reaching the end of its service life, please refrain from disposing of the product into the environment; instead, dispose of it according to its material type. The company retains the right to make modifications to this catalog and production, even without prior notice.



aderente a

