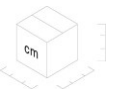
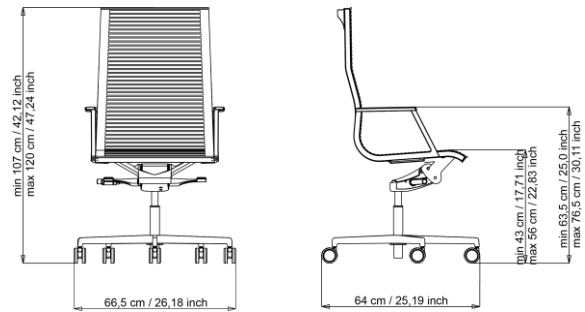


NULITE

Articol: 26040

Code: 4NL2602

Design Luxy R&D



19

no

1

22

0,3

91x70x68

UNI ISO
9227

UNI EN
1335

Patent: 10022644

Warranty: 5 anni

DESCRIPTION

EXECUTIVE, HIGH-BACK, WITH CHROME ALUMINUM ARMS, MULTI-LOCK TILTING MECHANISM, POLISHED ALUMINUM BASE, WITH Ø 65 mm BLACK WHEELS.

FINISH: Chrome or coated with epoxy powders in white and black with scratch-resistant treatment.

BACKREST: PVC frame, fireproof polyurethane foam padding.

SEAT: PVC frame, fireproof polyurethane foam padding.

STRUCTURE: Seat/backrest structure made of high-resistance steel tube 25x28 mm thickness 1.5 mm, with chrome or coated with epoxy powders in white or black with scratch-resistant treatment.

ARMRESTS: Die-cast aluminum, chrome or coated with epoxy powders in white or black with scratch-resistant treatment; with steel insert padded and covered to match the seat/backrest.

MECHANISM: Multi-lock tilting mechanism.

BASE: Swivel 4 or 5-star base in die-cast aluminum with polished finish or coated with epoxy powders in white or black with scratch-resistant treatment.

WHEELS: Self-braking rubber wheels (standard) Ø 65 mm in chrome, white, or black version.

UPHOLSTERY: SERIES 26000: non-removable covering with padding made using a thermoforming system in fireproof polyurethane foam density 65 kg/m³.

MAINTENANCE

CHROMED PARTS: Clean with a soft cloth lightly moistened with a stainless steel cleaning product.

PLASTIC PARTS: Clean with a soft cloth lightly dampened with water without applying pressure, then wipe dry.

PAINTED PARTS: Clean with a soft cloth lightly dampened with water, then wipe dry.

ALUMINUM PARTS: Use specific metal polishing products for cleaning to slow down natural oxidation caused by hand contact. Aluminum parts naturally oxidize over time. LUXY recommends avoiding aggressive detergents.

FABRIC: For fabrics, apply a few drops of neutral detergent on a well-wrung damp cloth, gently wipe it on the seat, and let it dry. See fabric sheets in the LUXY upholstery folder. LUXY strongly recommends using eco-friendly products.

LEATHER: Leather is a natural product. Imperfections in leather give it its distinctive appearance. For stains, use a soft woolen cloth. For stubborn dirt, use only products for leather dyed with aniline dyes. Do not expose leather to direct sunlight. LUXY strongly recommends using eco-friendly products.

CASTERS/FEET: For user safety and different types of flooring, various types of casters are available as required by safety regulations:

- hard casters for soft floors,
- soft casters for all hard floors (standard)

MATERIAL AND RECYCLABILITY

