

# NEAT

Design Luxy R&D

**Modello** NE4

**Codice** 4NEGI08

## DESCRIPTION

**NEAT:** Is a collection of office chairs certified according to the new standard EN13351:2020. Ergonomics and functionality with an aesthetic touch make NEAT the perfect executive and operational chair for modern spaces.

**BACKREST:** Structure in black glass fiber loaded polyamide, covered in new three-dimensional mesh complete with adjustable lumbar support. Executive version with perforated polypropylene headrest matching the backrest color. **SEAT:** With integrated seat slider, 70mm travel, padding in 50mm thick high-density polyurethane foam, cover housing in polypropylene.

**FINISH:** Plastic components available in black color.

**ARMRESTS:** 4D armrests (width, height, depth, tilt) available in black, with soft polyurethane upper pad in black color.

**MECHANISM:** Synchro, with 4 locking positions and an unlocking system with anti-shock function. Featuring three intensity levels for backrest tension adjustment via a side knob.

**BASE:** Glass fiber loaded nylon base available in black color.

**CASTORS:** 65mm rubber coated self-braking casters with upper bumper (standard matched to the base color).

## INSTRUCTIONS FOR USE

**Full Seat Surface Utilization:** The surface of the ergonomic seat must be fully occupied. Only in this way is correct contact with the backrest ensured, and thus adequate support.

**Exact Seat Height Adjustment:** Correct seat height means: an angle of approximately 90° at the elbow when the forearm rests horizontally on the work surface. An angle of approximately 90° at the knee when the feet are fully flat on the ground.

**Dynamic Sitting:** For dynamic sitting, it is necessary to frequently change one's posture, i.e., to transition as often as possible from the forward to the backward posture and vice versa.

**Usage:** This office swivel chair must be used only as intended by the designated purpose, observing normal general precautions. Inappropriate use (e.g., as a substitute for a ladder, sitting on).

## MAINTENANCE AND CLEANING

**Plastic Parts:** Use a mild soap-based detergent for cleaning. Do not use aggressive detergents.

**Covering and Padding:** Any stains on the fabric covering can be removed with mild neutral detergents or with **specific products recommended by the manufacturer for sanitizing and water repellency**, for better preservation of the covering's good condition. If the padding exhibits structural issues requiring maintenance, it should be handled exclusively by specialized personnel.



## SERVICE

Service operations, such as replacement and interventions in the gas lift area, must be carried out exclusively by specially trained personnel, and requests should be forwarded directly to LUXY as the manufacturer, via telephone or email contact provided at the bottom of the technical data sheet. Maintenance and component replacements performed by unauthorized personnel will void the warranty.

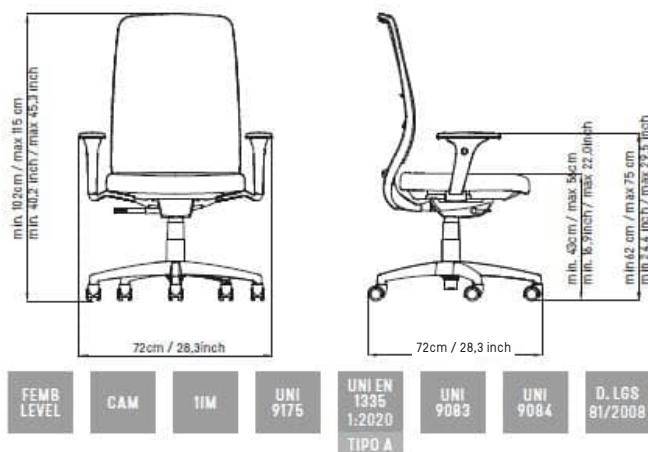
## WARRANTY

Our products are warranted for 5 (five) years and cover manufacturing defects or defects in materials not attributable to improper use of the product or misuse (overloading components, impacts, and tears). This warranty is based on normal daily work use of 8 (eight) hours with a maximum load of 110 kg.

Excluded from the warranty are excessive or improper use of the product, natural wear and tear of materials (fabrics, wheels, mechanisms, and lifts), defects caused by interventions performed outside the manufacturer's premises, defects due to humid environments or atmospheres with the presence of salt or acids. Our warranties reflect the manufacturing processes applied to the production materials and not their intrinsic qualities.

## PRODUCT INFORMATION

The materials used are recyclable. At the end of its useful life, do not dispose of the product in the environment, but dispose of it according to the type of material. The company reserves the right to make changes to this document and to the production, even without prior notice.



aderente a

