



SWITCH

ARTICOL: SW5

CODE: 4SWG106

DESCRIPTION

SWITCH is a collection of office chairs certified according to the new European standard EN1335-1:2020, where modern design and ergonomics blend, creating a chair that perfectly meets everyday work needs.

BACKREST: Made of high-strength polypropylene loaded with fiberglass, supported by a polished aluminum back blade. The back blade contains adjustable lumbar support, both in height, via a button, and in depth, via a knob located in the central part of the backrest. The latter is covered in self-supporting mesh or upholstered in fire-resistant expanded polyurethane foam with a thickness of 25 mm and a density of 50 Kg/m³.

SEAT: Features integrated 70mm translation, padding in fire-resistant expanded polyurethane foam with a thickness of 40mm, density of 50 Kg/m³, with internal polypropylene insert, cover casing in polypropylene reinforced with transverse steel bars. **FINISH:** Black plastics.

MECHANISM: Synchronized automatic mechanism with tension regulator, 5 locking positions with anti-shock function.

BASE: Cast aluminum with a polished finish.

CASTERS: Self-braking black rubber Ø 65 mm casters.

FABRIC: Fabric choice can be customized from a wide range of available colors.

USAGE INSTRUCTIONS

Use of the entire seating surface: The surface of the anatomical seat must be fully occupied. Only then is correct contact with the backrest ensured, providing adequate support.

MAINTENANCE AND CLEANING

Metal Parts: For cleaning, use specific metal polishing products to slow down natural oxidation due to contact.

Upholstery and Padding: Any stains on the upholstery fabric can be removed either with mild neutral detergents or with specific products recommended by the manufacturer as sanitizing and water-repellent, for better preservation of the upholstery's good condition. Padding, if presenting structural issues requiring maintenance, should be handled exclusively by specialized personnel.

ASSISTANCE

Service operations must be carried out exclusively by specially trained personnel, and requests should be submitted directly to LUXY as the manufacturer. Maintenance and component replacements performed by unauthorized personnel will void the warranty.

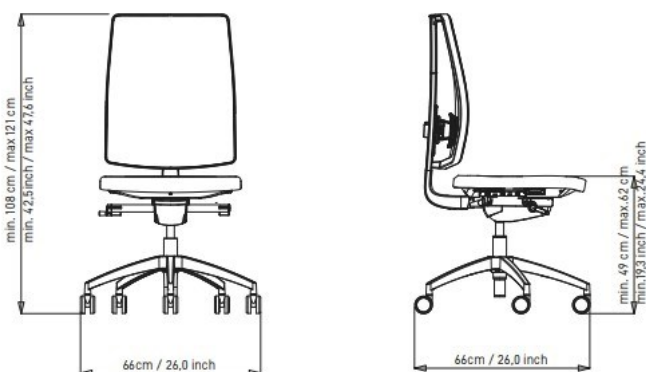


WARRANTY

Our products are guaranteed for 5 (five) years and cover manufacturing defects or defects in materials not attributable to improper use of the product. Excluded from the warranty are excessive or incorrect use of the product, natural wear and tear of materials (fabrics), defects caused by interventions carried out outside the manufacturer's premises, defects due to humid environments or atmospheres with the presence of salt or acids. Our warranties reflect the workmanship on the production materials and not the intrinsic qualities of the materials themselves.

PRODUCT INFORMATION

The materials used are recyclable. At the end of its use, do not dispose of the product in the environment, but rather dispose of it according to the type of material. The company reserves the right to make changes to this catalog and production without prior notice.



aderente a

