

## IKIGAI

DESIGN LUXY R&D

MODELLO IK1

CODICE 4IKGI02

### DESCRIPTION

**IKIGAI:** It is an operational chair certified according to the new standard EN13351:2020. Ergonomics, technicality, and aesthetics make IKIGAI a high-quality operational chair for workspaces.

**BACKREST:** Structure in glass fiber-reinforced polyamide, offered in black color. Adjustable in height through an up-down system. Backrest covered in the new three-dimensional mesh complete with adjustable lumbar support in depth.

**SEAT:** Fire-resistant polyurethane foam padding SP. 50mm density 50 Kg/m<sup>3</sup>, covering casing in polypropylene covered in the color of the backrest with three-dimensional mesh.

**FINISH:** Plastics proposed in black color.

**ARMRESTS:** Armrest 40 (width, height, depth, inclination) integrated into the backrest structure, offered with a soft polyurethane upper pad in black color.

**MECHANISM:** with integrated translator, 70mm stroke, synchronized with 4 locking positions, default tension adjuster in 3 positions, unlocking system with anti-shock function.

**BASE:** aluminum.

**WHEELS:** 65mm black rubber-coated self-braking wheels (standard matching the color of the plastics)

### USAGE INSTRUCTIONS

**Use of the entire seat surface** The surface of the anatomical seat must be fully occupied. Only in this way is correct contact with the backrest guaranteed, and therefore adequate support.

**Exact adjustment of seat height** By correct seat height, it is meant: an angle of about 90 degrees of the elbow when the forearm rests horizontally on the work surface. An angle of about 90 degrees of the knee when feet are fully grounded.

**Dynamic seating** For dynamic seating, it is necessary to frequently change one's posture, meaning to switch as often as possible between anterior and posterior postures.

**Usage** This swivel office chair must be used only as intended by its intended use, respecting normal general precautions. In case of improper use (e.g., instead of a ladder, sitting on the armrests, or with extreme unilateral loads), there is a risk of accidents.

### MAINTENANCE AND CLEANING

**Plastic parts** For cleaning, use a detergent based on neutral soap. Do not use aggressive detergents.

**Covering and Padding** Any stains on the fabric covering can be removed with gentle neutral detergents and **specific products indicated by the manufacturer as sanitizing and water-repellent**, for better preservation of the good condition of the covering itself. The padding, if it presents structural problems requiring maintenance, must be handled exclusively by specialized personnel



### ASSISTANCE

The servicing operations, such as replacement and interventions in the gas lift area, must be carried out exclusively by specially trained personnel, and requests should be directly forwarded to LUXY as the manufacturer, via telephone or email contact provided at the bottom of the technical data sheet. Maintenance and component replacements performed by unauthorized personnel will void the warranty.

### WARRANTY

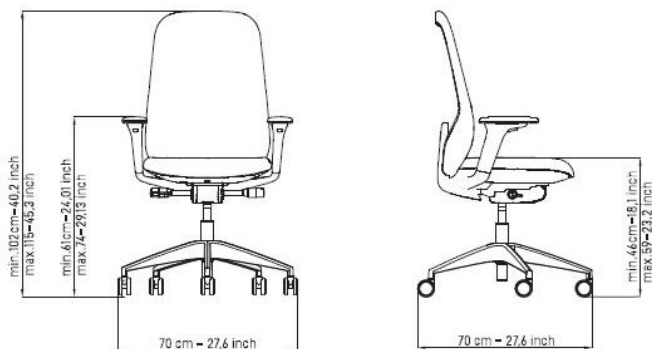
Our products are guaranteed for 5 (five) years and cover manufacturing defects or defects in materials not attributable to misuse of the product or improper use (overloading components, impacts, and tears), and are based on normal daily work use of 8 (eight) hours with a maximum load of 110 Kg.

**Luxy extends the warranty conditions for an additional 4 (four) years, for a total of 9 (nine) years.**

Excluded from the warranty are excessive or incorrect use of the product, natural wear of materials (fabrics, wheels, mechanisms, and lifts), defects caused by interventions carried out outside the manufacturer's premises, defects due to humid environments or atmospheres with the presence of salt or acids. Our warranties reflect the processing of production materials and not the intrinsic qualities of the materials themselves.

### PRODUCT INFORMATION

The materials used are recyclable. At the end of its use, do not disperse the product in the environment, but dispose of it according to the type of material and disposal scheme outlined in the technical data sheet "DISPOSAL". The company reserves the right to make changes to this document and to the production process without prior notice.



aderente a

