



# LUXY®

## ITALIA

### EXTRASOFT

**ARTICOL:** IT25

**CODE:** 4ITDI44

#### DESCRIPTION

**ITALIA:** It is a collection of executive and representative chairs, a project where innovation and history merge, finding the perfect balance between shapes and colors. We have pushed beyond the known technology of office chairs. The range is available in versions with high or medium backrests; the mechanism can be synchronous or heavy-duty synchronous, ensuring ergonomics and comfort. The design and technology are completely innovative.

**"EXTRA SOFT":** with quilted backrest padding.

**FABRIC:** The choice can be customized from a wide range of available colors, also in the bi-color version.

**BACKREST:** HIGH, padded with flexible cold foam polyurethane, fire-resistant, density 55 kg/m<sup>3</sup> with structural steel insert.

**SEAT:** padded with flexible cold foam polyurethane, fire-resistant, density 50 kg/m<sup>3</sup> with high-strength steel insert.

**MECHANISM:** heavy-duty synchronous with 16° backrest tilt angle and 4° seat tilt angle, 4 lock positions, and 60 mm adjustment translocator.

**BASE:** 4-spoke fixed swivel base in die-cast aluminum Ø 720 mm with polished or powder-coated epoxy finish in Black (NE), White (BI), Gray (GG), Aqua Green (VD), Powder Pink (MT), Ivory (SB).

#### INSTRUCTIONS FOR USE

**Utilization of the entire seating surface** The surface of the anatomical seat must be fully occupied. Only in this way is correct contact with the backrest guaranteed, ensuring adequate support.

#### MAINTENANCE AND CLEANING

**Metal Parts:** For cleaning, use specific products for polishing metals, in order to slow down the natural oxidation due to contact.

**Coating and Padding:** Any stains on the fabric coating can be removed with mild neutral detergents or with specific products recommended by the manufacturer itself as sanitizers and water repellents, for better preservation of the coating's good condition. Padding: If there are structural issues with the padding requiring maintenance, it should be handled exclusively by specialized personnel.



#### ASSISTANCE

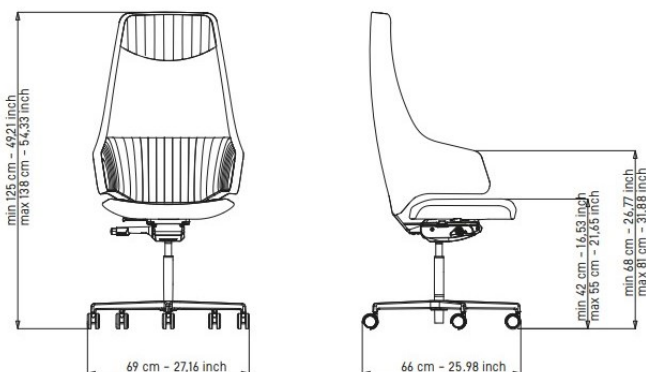
Service operations must be carried out exclusively by specially trained personnel, and requests should be submitted directly to LUXY as the manufacturer. Maintenance and component replacements performed by unauthorized personnel will void the warranty.

#### WARRANTY

Our products are guaranteed for 5 (five) years and cover manufacturing defects or defects in materials not attributable to improper use of the product. Excluded from the warranty are excessive or incorrect use of the product, natural wear of materials (fabrics), defects caused by interventions carried out outside the manufacturer's premises, defects due to humid environments or atmospheres with the presence of salt or acids. Our warranties reflect the workmanship on the production materials and not the intrinsic qualities of the materials themselves.

#### PRODUCT INFORMATION

The materials used are recyclable. At the end of its use, do not dispose of the product in the environment, but dispose of it according to the type of material. The company reserves the right to make changes to this catalog and production without prior notice.



aderente a

